



Product description

The Tannoy VSX 10BP is a deceptively compact and versatile band-pass subwoofer, designed to extend low frequency response and increase system headroom in conjunction with Tannoy VX and VXP Series full range loudspeakers, as well as offering an ideal low frequency device for use with many of Tannoy's other systems, such as VLS Series or DVS Series.

The VSX 10BP utilises a single high efficiency 250 mm (10") drive unit in a compact and sturdy, black or white painted plywood cabinet. The compact footprint of the enclosure design also allows discreet placement, for instance unobtrusively incorporated into fixed furnishings such as underneath seating or the bar in cafes and bars, for discrete but impressive performance.

The VSX 10BP benefits from Tannoy's latest subwoofer design philosophies, optimising tonal balance and harmonic output through precisely engineered enclosure geometry and innovative transducer design; ensuring well-defined low frequency reinforcement at high sound pressure levels, with extremely low distortion and power compression.

Featuring a rugged and durable birch ply enclosure, with ergonomic Integrip™ carry handles and integrated, recessed termination panels with NL4 speakON and barrier strip connections for ease-of-install, the VSX 10BP is a highly flexible subwoofer. As well as fixed install, VSX 10BP can easily be coupled with VX Series and VXP Series and VLS Series column loudspeakers for portable PA applications thanks to an integrated pole-mount recess and the optional VTH pole mount.

Features

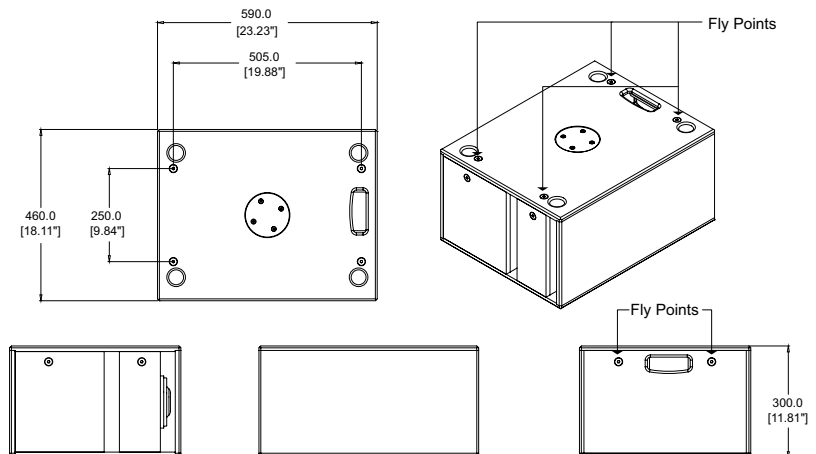
- 250 mm (10") drive unit mounted in band-pass configuration
- High performance LF driver design delivering exceptional bass response
- Ultra-compact for discrete installation under seating/bars
- New band-pass design delivers higher output, lower distortion and greater reliability
- Recessed Integrip™ handles for ease of handling
- Recessed termination panels for flush mounting of connectors
- Recessed pole-mount locations for use in portable PA applications
- Rugged plywood construction finished with textured black or white paint

Physical data

Dimensions HxWxD:	300 mm x 460 mm x 590 mm, (11.8" x 18.1" x 23.2")
Weight:	18.5 kg (40.8 lbs)
Enclosure:	61 litres, 15 mm birch plywood, internally braced
Finish:	Textured black or white paint (custom colours on request)

Applications

- Under-seating in bars & clubs
- High output retail (eg. fashion stores)
- Portable AV/PA
- Multimedia installations (eg. museums, galleries)
- Visitor attractions



Technical Data Sheet

Specifications

VSX 10BP

Performance

System type	Band-pass subwoofer
Frequency response (-3 dB) ⁽¹⁾	42 Hz - 110 Hz
Frequency response (-10 dB) ⁽¹⁾	36 Hz - 130 Hz
System sensitivity (1 W @ 1 m) ⁽²⁾	93 dB (1 W = 2.83 V for 8 ohms)

Power Handling

Average ⁽²⁾	200 W
Programme	400 W
Peak	800 W
Recommended amplifier power	400 W @ 8 ohms

Rated maximum SPL ⁽²⁾

Average	116 dB
Peak	122 dB
Nominal impedance	8 ohms
Driver complement	250 mm (10") bass driver
Recommended crossover	80 Hz - 110 Hz, 24 dB / octave
	Recommended high-pass filter 40 Hz, 24 dB / octave

Distortion

10% full power (28.3 V)	Harmonics		
	50 Hz	2nd	3rd
	100 Hz	2.24%	1.95%
		1.17%	0.47%
1% full power (8.9 V)	50 Hz	0.67%	0.57%
	100 Hz	0.42%	0.49%

Construction

Enclosure	61 litres, 15 mm birch plywood, internally braced
Finish	Textured black or white paint (custom colours on request)
Connectors	2 x speakON NL4MP and barrier strip
Fittings	8 x M10 flying inserts (landscape mounting, portrait only if ground stacked) 1 x Integrip carrying handle

Physical

Dimensions HxWxD	300 mm x 460 mm x 590 mm, (11.8" x 18.1" x 23.2")
Packed quantity	1
Net weight	18.5 kg (40.8 lbs)
Shipped weight	22 kg (48.5 lbs)

Ordering Information

Part Number	Colour
8001 7100	Black
8001 7101	White



Notes:

1. Average over stated bandwidth, measured at 1 metre on axis.
2. Unweighted pink noise input, measured at 1 metre in half space.

A full range of measurements, performance data, and Ease™ Data can be downloaded from www.tannoy.com/pro

New materials or manufacturing methods introduced through Tannoy's policy of continuous research and development may result in variances; however, performance will meet or exceed published specifications, which Tannoy reserves the right to alter without prior notice.

Copyright (c) 2015 Tannoy Limited. All rights reserved.