



Product Description

Duplicating the low frequency performance of the VQ 60 & VQ 100 full range loudspeakers, the VQ MB is intended for use as a flown or ground stacked, high power low/mid frequency module used in conjunction with full range or mid/high systems in the VQ series.

Two (12") low frequency transducers, offer high power handling and low power compression for high continuous SPL capability. A newly designed LF loading design provides the highest possible sensitivity for low/mid frequency output (105dB/w).

The VQ MB is principally intended for use with the VQ 60 & VQ 100 full range systems to construct arrays with extended low frequency pattern control. By fixing a VQ MB at the opposing end of a VQ full range loudspeaker we can effectively extend pattern control to below the cutoff point of the Mid/High PSW™ waveguide. By offsetting the devices using delay we can also steer the low frequency lobe. The VQ MB can be used to extend the bandwidth of any VQ Mid/High product whether singly or as part of an array.

The VQ MB is part of an expanding line up of VQ products, addressing the requirement for compact dimensions without compromising performance in any way.

Features

- Designed to extend the pattern control of VQ full range systems
- Identical performance to low/mid section of VQ full range systems
- Compact Dimensions
- Extremely high sensitivity, therefore high SPL's can be achieved with a very modest amount of amplifier power

Applications

- Large Houses of Worship
- Large Corporate AV applications
- Stadiums & other Sports facilities
- Dance Clubs
- Live sound – concert halls, theatres, open-air venues

Tannoy United Kingdom
 Tannoy Deutschland
 Tannoy Middle East
 TC|Group International
 TC|Group Americas

T: 00 44 (0) 1236 420199
 T: 00 49 (180) 1111 881
 T: 00 971 (04) 4401208
 T: 00 45 8742 7000
 T: 00 1 (519) 745 1158

E: enquiries@tannoy.com
 E: enquiries@tannoy.com
 E: enquiries@tannoy.com
 E: info@tcgroup-international.com
 E: info@tcgroup-americas.com



TECHNICAL SPECIFICATIONS

System	VQ MB
System Type	Mid Bass - Vented
Frequency Response (-3dB) ⁽¹⁾	115Hz - 500Hz
Frequency Range (-10dB) ⁽¹⁾	90Hz - 600Hz
System Sensitivity & Operating Freq. (1W @1m) ⁽²⁾	105dB (2.0V @ 4 Ohms)
Driver Complement	2 x 300mm (12.00") Low Frequency Transducers, Semi Horn Loaded
Rated Maximum SPL ⁽²⁾	
Average	135dB
Peak	141dB
Power Handling ⁽³⁾	
Average	1000W (63.3V)
Programme	2000W
Recommended Amplifier Power	2000W into 4 Ohms
Nominal Impedance	4 Ohms (4.1 Ohms Minimum)
Distortion	
110dB SPL	2nd Harmonic 3rd Harmonic
200Hz	0.152 0.065
400Hz	0.067 0.023
120dB SPL	
200Hz	0.446 0.175
400Hz	0.128 0.138

Construction	
Enclosure	18mm (0.71") birch plywood. Internally braced.
Grille	Powder coated perforated steel grille
Finish	Textured black or white paint (custom colours on request)
Connectors	Barrier Strip and Neutrik NL4
Fittings	2 x Recessed carrying handles 12 x M10 flying inserts
Dimensions	433mm x 694mm x 515mm (17.05" x 27.32" x 20.28")
Net Weight	37kg (81.6 lbs)

Notes:

- (1) Average over stated bandwidth. Measured at 3 metres on axis, then referred to 1 metre
- (2) Unweighted pink noise input, measured at 3 metres in an anechoic chamber, then referred to 1 metre
- (3) Accelerated Life Test (EIA RS426-B)

A full range of measurements, performance data, CLF and Ease™ Data can be downloaded from www.tannoy.com

Full independent verification of published specifications carried out by NWAALabs, California can also be obtained from the downloads section of www.tannoy.com

Tannoy operates a policy of continuous research and development. The introduction of new materials or manufacturing methods will always equal or exceed the published specifications, which Tannoy reserves the right to alter without prior notice. Please verify the latest specifications when dealing with critical applications.

Ordering Information

PART NUMBER	MODEL NAME	COLOUR	PACKED QUANTITY
8001 4810	VQ MB	BLACK	1
8001 4811	VQ MB	WHITE	1

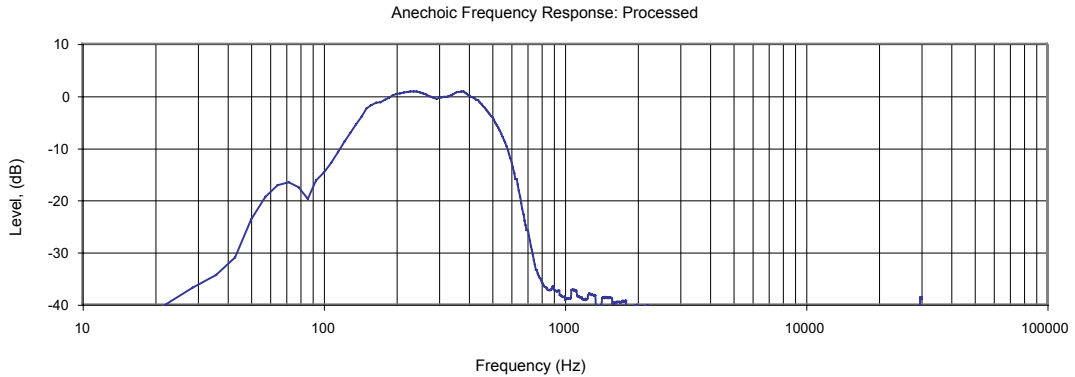
Tannoy United Kingdom
Tannoy Deutschland
Tannoy Middle East
TC|Group International
TC|Group Americas

T: 00 44 (0) 1236 420199
T: 00 49 (180) 1111 881
T: 00 971 (04) 4401208
T: 00 45 8742 7000
T: 00 1 (519) 745 1158

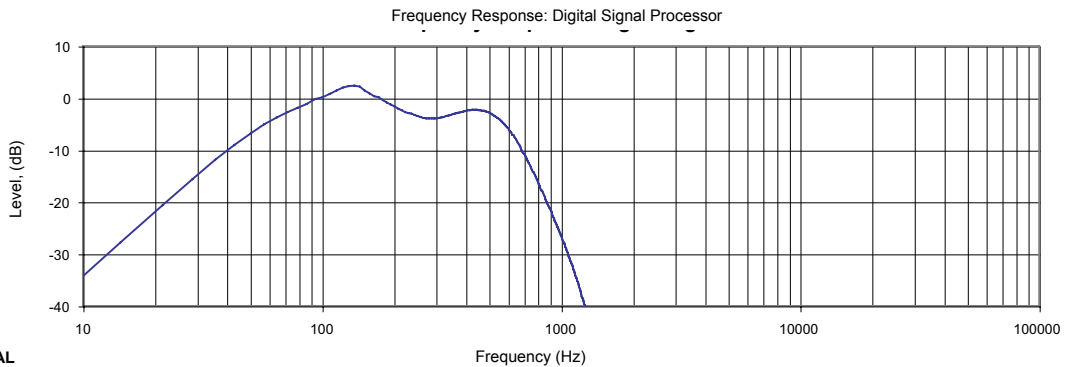
E: enquiries@tannoy.com
E: enquiries@tannoy.com
E: enquiries@tannoy.com
E: info@tcgroup-international.com
E: info@tcgroup-americas.com



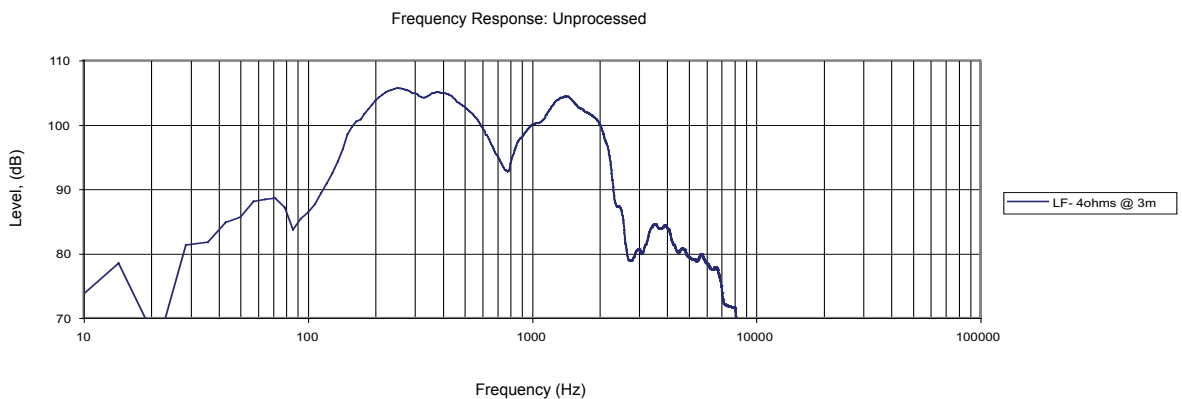
PERFORMANCE MEASUREMENTS



**ANECHOIC
FREQUENCY
RESPONSE**



**ELECTRICAL
TRANSFER
FUNCTION
FOR OPTIMAL
OPERATION**



SENSITIVITY

Tannoy United Kingdom
 Tannoy Deutschland
 Tannoy Middle East
 TC|Group International
 TC|Group Americas

T: 00 44 (0) 1236 420199
 T: 00 49 (180) 1111 881
 T: 00 971 (04) 4401208
 T: 00 45 8742 7000
 T: 00 1 (519) 745 1158

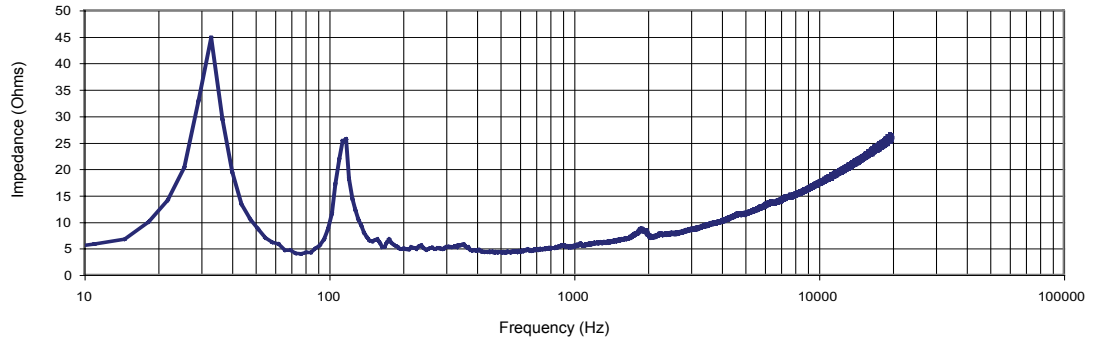
E: enquiries@tannoy.com
 E: enquiries@tannoy.com
 E: enquiries@tannoy.com
 E: info@tcgroup-international.com
 E: info@tcgroup-americas.com

tannoy®.com



PERFORMANCE MEASUREMENTS

Impedance vs frequency



IMPEDANCE

Tannoy United Kingdom
 Tannoy Deutschland
 Tannoy Middle East
 TC|Group International
 TC|Group Americas

T: 00 44 (0) 1236 420199
 T: 00 49 (180) 1111 881
 T: 00 971 (04) 4401208
 T: 00 45 8742 7000
 T: 00 1 (519) 745 1158

E: enquiries@tannoy.com
 E: enquiries@tannoy.com
 E: enquiries@tannoy.com
 E: info@tcgroup-international.com
 E: info@tcgroup-americas.com

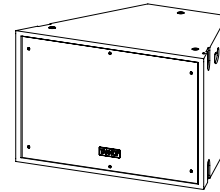
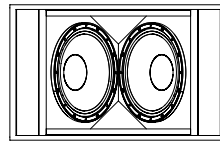
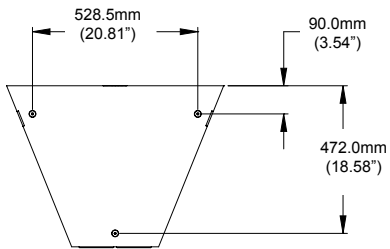
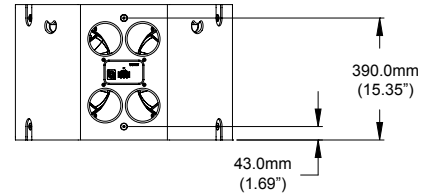
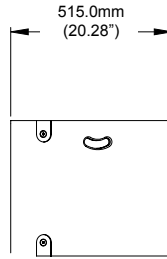
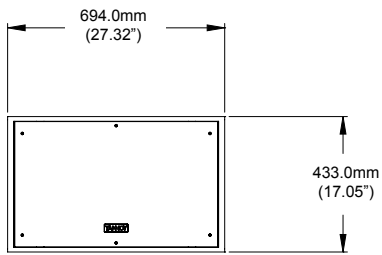
tannoy®.com



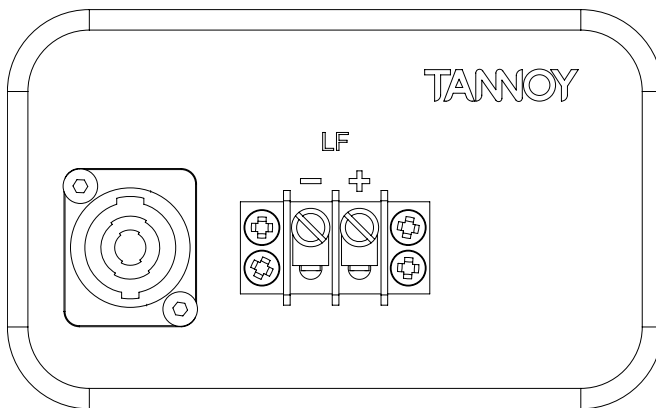
VQ MB

TANNOY®

DIMENSIONAL SKETCHES



INPUT PANEL



Tannoy United Kingdom
Tannoy Deutschland
Tannoy Middle East
TC|Group International
TC|Group Americas

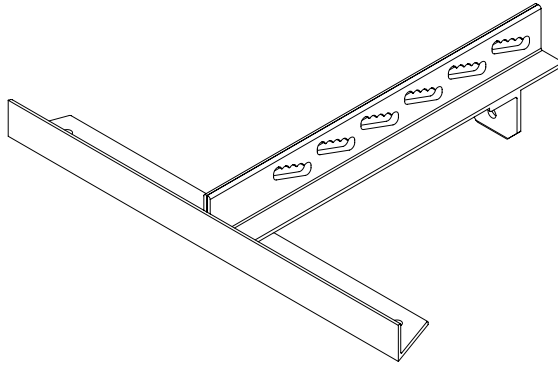
T: 00 44 (0) 1236 420199
T: 00 49 (180) 1111 881
T: 00 971 (04) 4401208
T: 00 45 8742 7000
T: 00 1 (519) 745 1158

E: enquiries@tannoy.com
E: enquiries@tannoy.com
E: enquiries@tannoy.com
E: info@tcgroup-international.com
E: info@tcgroup-americas.com

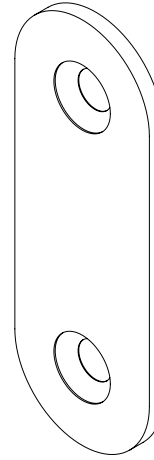
tannoy®.com



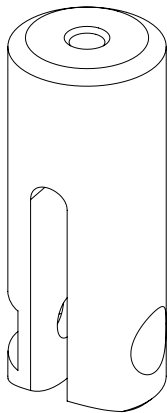
OPTIONAL ACCESSORIES



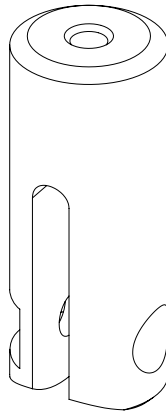
VQ FLYING BRACKET
(SINGLE POINT HANGING BRACKET)



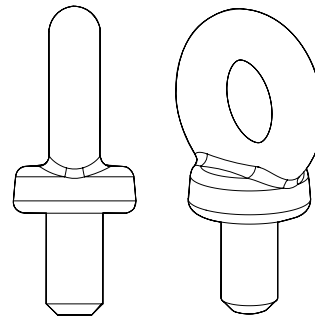
VQ LINK (LINK PLATE)



VQ ROD END 12mm



VQ ROD END 1/2in UNC



VEB FORGED EYEBOLT

Ordering Information

PART NUMBER	MODEL NAME	COLOUR	PACKED QUANTITY
8001 5250	VQ Flying Bracket (Single Point Hanging Bracket)	BLACK	1
7900 1055	VQ Link (Link Plate)	BLACK	3
8001 5260	VQ Rod End 12	BLACK	1
8001 5261	VQ Rod End 1/2in UNC	BLACK	1
8001 2820	VEB Forged Eyebolt	-	3

Tannoy United Kingdom
Tannoy Deutschland
Tannoy Middle East
TC|Group International
TC|Group Americas

T: 00 44 (0) 1236 420199
T: 00 49 (180) 1111 881
T: 00 971 (04) 4401208
T: 00 45 8742 7000
T: 00 1 (519) 745 1158

E: enquiries@tannoy.com
E: enquiries@tannoy.com
E: enquiries@tannoy.com
E: info@tcgroup-international.com
E: info@tcgroup-americas.com

tannoy®.com



Architectural specifications

The loudspeaker shall consist of two 300mm (12") woofers, and shall be mounted in a semi-horn loaded enclosure to provide significant off axis attenuation below 450Hz. The loudspeaker shall be trapezoidal in shape.

Performance of the loudspeaker, using the recommended electronic control shall meet or exceed the following criteria:

The Loudspeaker section shall produce a sound pressure level of 105dB SPL on axis at 1 meter with a power input of 1 Watt, and shall be capable of producing a peak output of 141dB SPL on axis at 1 meter. The Loudspeaker shall handle 2000 Watts of amplifier power and shall have a nominal impedance of 4 Ohms.

The enclosure shall be of birch plywood construction and internally braced. The enclosure shall be fitted with two integral carrying handles, and twelve M10 inserts for flying hardware. The enclosure shall not exceed the following dimensions (H x W x D): 433mm x 694mm x 515mm (17.05" x 27.32" x 20.28")

The loudspeaker shall be the Tannoy...VQ MB



NOTES

Tannoy United Kingdom
Tannoy Deutschland
Tannoy Middle East
TC|Group International
TC|Group Americas

T: 00 44 (0) 1236 420199
T: 00 49 (180) 1111 881
T: 00 971 (04) 4401208
T: 00 45 8742 7000
T: 00 1 (519) 745 1158

E: enquiries@tannoy.com
E: enquiries@tannoy.com
E: enquiries@tannoy.com
E: info@tcgroup-international.com
E: info@tcgroup-americas.com

tannoy.com