



## Product Description

The Definition Install iw63 DC in wall speaker has been designed around the unique Tannoy Dual Concentric™ drive unit to bring audiophile performance to a wide range of installation applications; from media rooms to home theatre and boardrooms through to high end marine interiors these loudspeakers deliver class leading accuracy, sensitivity and dynamics.

Characteristic of the Dual Concentric design is a very wide 'sweet spot' with an exceptionally even response throughout the listening area, as well as an extraordinary transient response; reasons enough for this phase accurate Tannoy designed drive unit to have been the choice of professional studio engineers all over the world for many years.

The Dual Concentric™ is effectively two drivers properly merged into one where, unlike ordinary drive units, the high frequency unit is positioned on the back of the low frequency driver. As a result they are on same axis, so ensuring that sound energy is effectively propagated from the same point and delivered through the centre of the low frequency cone as true point source. Such integration optimises reproduction quality by providing a constant time delay over the frequency spectrum, exceptional transient performance, wide dispersion and superior harmonic alignment; all of which delivers to the listening position a natural, clean and integrated sound with greatly enhanced intelligibility, sound staging and dynamics.

Capable of an effortless and powerful performance to rival that of the cabinet based models in the range, the iw63 DC is equipped with a 165mm (6.50") Dual coupled with two 165mm (6.50") high output woofers. The heavily braced and comprehensively damped MDF cabinet is supplied with a paintable, flush mounting grille designed to blend seamlessly into any architectural space.

A unique isolation mounting system optimises low frequency performance by controlling unwanted resonances within the install structure. A mounting frame is available as an optional pre-installation accessory to fit into standard construction 2" x 4" stud walls.

The high power handling iw63 DC will excel in any in wall application but is primarily designed to be used in left, centre or right locations in home theatre or media room applications. At 91dB (1W = 2.83V for 8 Ohms) the speaker is very sensitive and therefore capable of high output levels, tremendous dynamics and stunning detail in both music and movie applications in vast array of listening and viewing environments.

## Features

- 165mm (6.50") high sensitivity, point source and constant directivity Dual Concentric™ drive unit
- Two 165mm (6.50") bass drivers
- Constant time delay over the frequency spectrum
- Exceptional transient performance
- 90 degree conical dispersion
- Superior harmonic alignment
- Natural, clean and integrated sound
- Enhanced intelligibility, sound staging and dynamics
- Recommended amplifier power 100 to 200W @ 8 Ohms
- Sensitivity 91dB (1W = 2.83V for 8 Ohms)
- Maximum SPL 117dB average
- Rugged construction MDF closed enclosure, internally braced and finished with textured black paint
- Isolation mounting system minimises energy transfer to the wall material
- Optional pre-installation frame available

## Applications

- Media rooms
- Home theatre
- Boardrooms
- High end marine interiors

Tannoy United Kingdom  
Tannoy North America  
Tannoy Deutschland  
Tannoy France

T: 00 44 (0) 1236 420199  
T: 00 1 (519) 745 1158  
T: 00 49 (180) 1111 881  
T: 00 33 (0)1 7036 7473

E: enquiries@tannoy.com  
E: inquiries@tannoyna.com  
E: anfragen@tannoy.com  
E: ventes@tannoy.com

tannoy.com



# Definition Install iw63 DC

# TANNOY®

## TECHNICAL SPECIFICATIONS

System	Definition Install iw63 DC	
Frequency Range <sup>(1)</sup>	54Hz - 40kHz	
System Sensitivity (1W @1m) <sup>(2)</sup>	91dB (1W = 2.83V for 8 Ohms)	
Nominal Coverage Angle	90 degrees conical	
Coverage Angle (1kHz to 6kHz)	120 degrees conical	
Directivity Factor (Q)	3.5 averaged 1kHz to 6kHz	
Directivity Index (DI)	5.5 averaged 1kHz to 6kHz	
Rated Maximum SPL <sup>(3)</sup>		
Average	111dB	
Peak	117dB	
Power Handling <sup>(3)</sup>		
Average	100W	
Programme	200W	
Peak	400W	
Recommended Amplifier Power	100 - 200W @ 8 Ohms	
Nominal Impedance	8 Ohms	
Distortion		
10% Full Power (8.94V)	2nd Harmonic	3rd Harmonic
250Hz	0.18%	0.08%
1kHz	0.89%	1.05%
10kHz	1.30%	0.18%
1% Full Power (2.83V)	2nd Harmonic	3rd Harmonic
250Hz	0.90%	0.38%
1kHz	0.36%	0.61%
10kHz	0.54%	0.55%
Crossover	320Hz, 1.5kHz	

### Notes:

(1) Average over stated Bandwidth. Measured in an IEC baffle in an Anechoic Chamber

(2) Unweighted Pink noise input, measured at 1m on axis

(3) Long term power handling capacity as defined in EIA - 426B test

A full range of measurements, performance data, CLF and Ease™ Data can be downloaded from [www.tannoy.com](http://www.tannoy.com)

Full independent verification of published specifications carried out by NWA Labs, California can also be obtained from the downloads section of [www.tannoy.com](http://www.tannoy.com)

Tannoy operates a policy of continuous research and development. The introduction of new materials or manufacturing methods will always equal or exceed the published specifications, which Tannoy reserves the right to alter without prior notice. Please verify the latest specifications when dealing with critical applications.

Transducers	
Low Frequency	2x 165mm (6.50") woofers
Mid and High Frequency	1 x 165mm (6.50") point source, constant directivity Dual Concentric™
Construction	
Enclosure	11.5 litre, closed and internally braced MDF enclosure
Finish	Textured black paint White powder coated perforated steel grille, with foam behind
Connectors	Gold plated spring terminals
Dimensions	590 x 345 x 94 mm (H x W x D) (23.23 x 13.58 x 3.70 ") (H x W x D)
Optional Accessory	Pre-installation mounting frame
NET Weight	10.50kg (23.14lbs)

## Ordering Information

PART NUMBER	MODEL NAME	COLOUR	PACKED QUANTITY
8000 5340	Definition Install iw63 DC	Black	1

Tannoy United Kingdom  
Tannoy North America  
Tannoy Deutschland  
Tannoy France

T: 00 44 (0) 1236 420199  
T: 00 1 (519) 745 1158  
T: 00 49 (180) 1111 881  
T: 00 33 (0)1 7036 7473

E: [enquiries@tannoy.com](mailto:enquiries@tannoy.com)  
E: [inquiries@tannoyna.com](mailto:inquiries@tannoyna.com)  
E: [anfragen@tannoy.com](mailto:anfragen@tannoy.com)  
E: [ventes@tannoy.com](mailto:ventes@tannoy.com)

# tannoy®.com

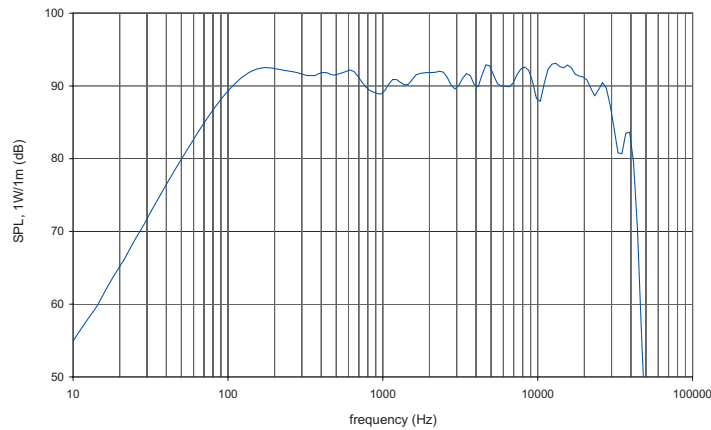


# Definition Install iw63 DC

# TANNOY®

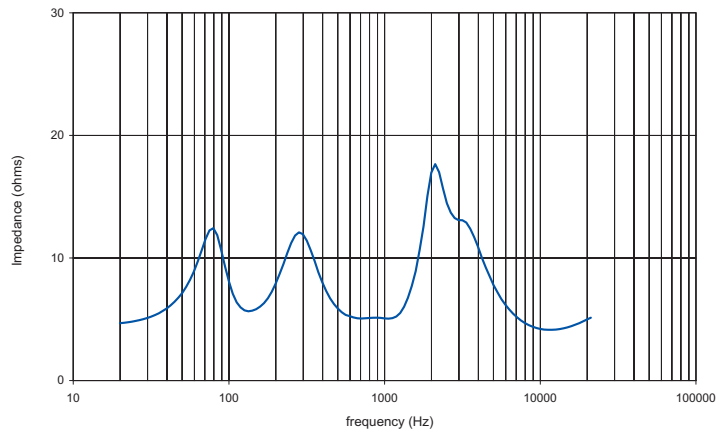
## PERFORMANCE MEASUREMENTS

1m on-axis frequency response

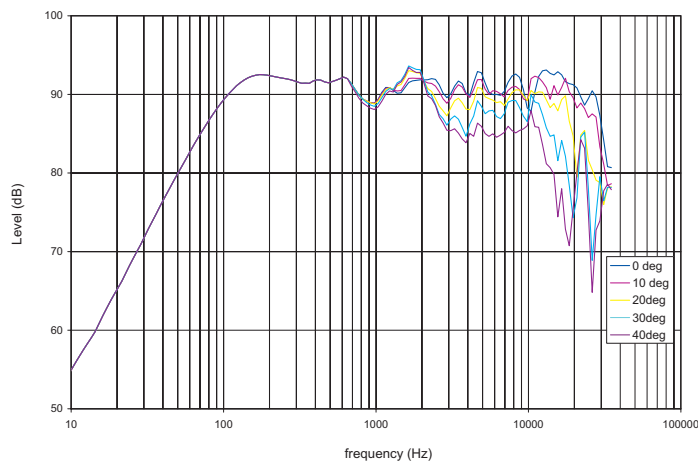


ANECHOIC  
FREQUENCY  
RESPONSE

Impedance vs frequency



IMPEDANCE



OFF AXIS  
RESPONSE

Tannoy United Kingdom  
 Tannoy North America  
 Tannoy Deutschland  
 Tannoy France

T: 00 44 (0) 1236 420199  
 T: 00 1 (519) 745 1158  
 T: 00 49 (180) 1111 881  
 T: 00 33 (0)1 7036 7473

E: enquiries@tannoy.com  
 E: inquiries@tannoyna.com  
 E: anfragen@tannoy.com  
 E: ventes@tannoy.com

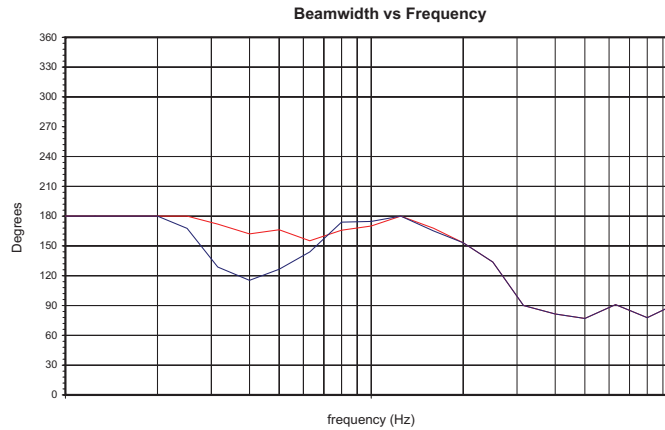
tannoy.com



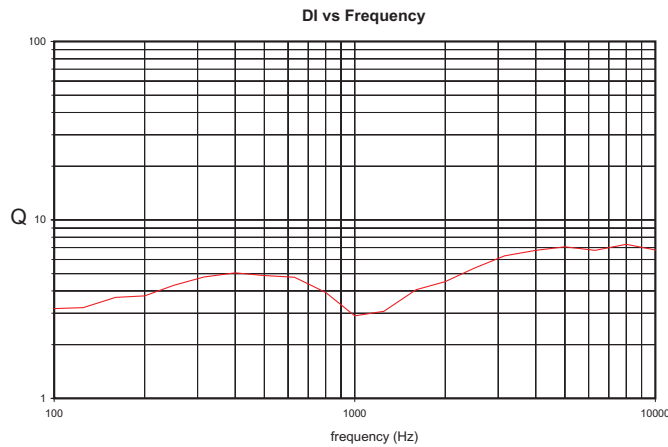
# Definition Install iw63 DC

TANNOY®

## PERFORMANCE MEASUREMENTS



BEAMWIDTH



DIRECTIVITY INDEX

Tannoy United Kingdom  
Tannoy North America  
Tannoy Deutschland  
Tannoy France

T: 00 44 (0) 1236 420199  
T: 00 1 (519) 745 1158  
T: 00 49 (180) 1111 881  
T: 00 33 (0)1 7036 7473

E: enquiries@tannoy.com  
E: inquiries@tannoyna.com  
E: anfragen@tannoy.com  
E: ventes@tannoy.com

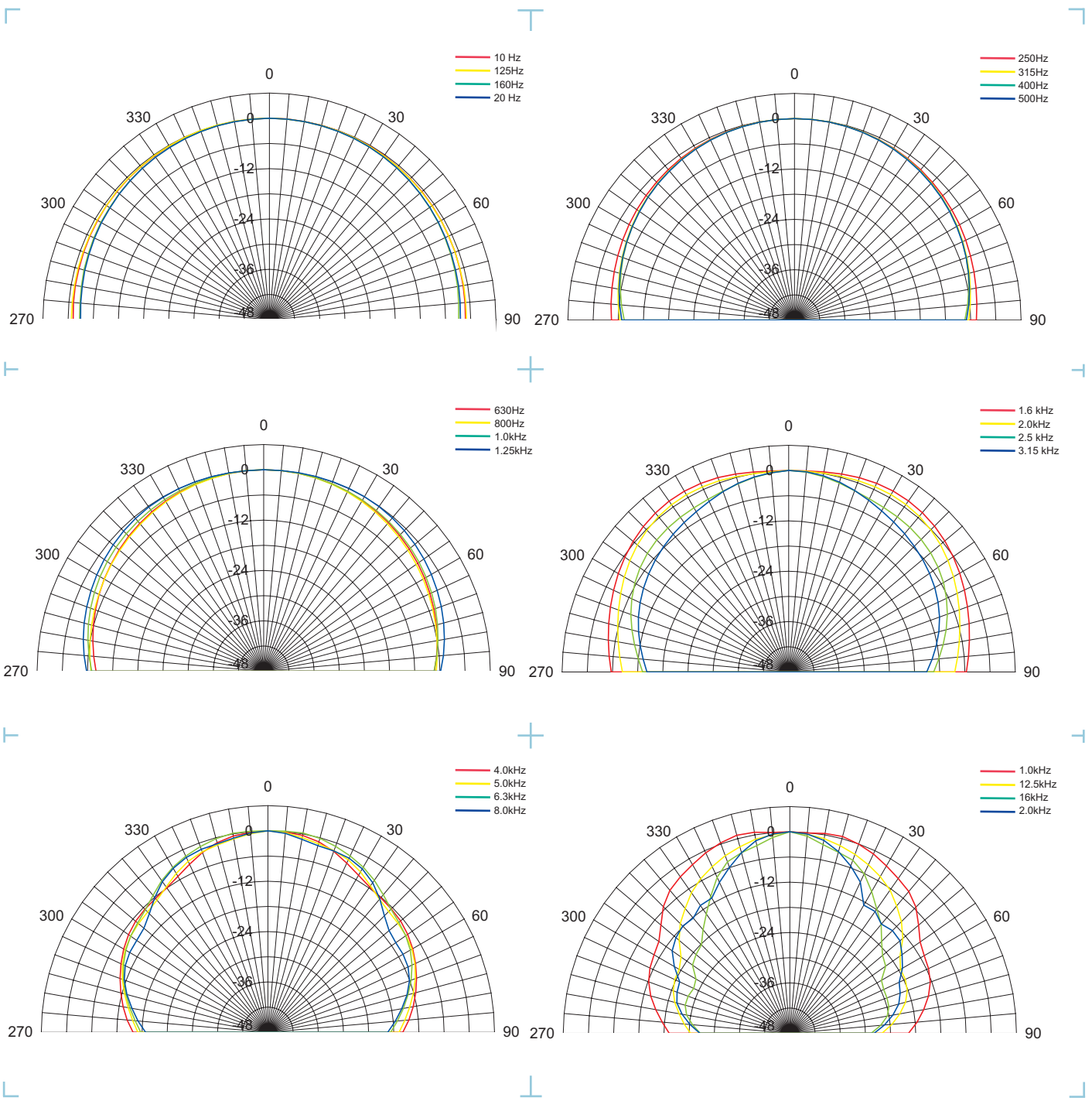
tannoy®.com



# Definition Install iw63 DC

# TANNOY®

## PERFORMANCE MEASUREMENTS POLAR PLOTS (1/3 OCTAVE)



Tannoy United Kingdom  
 Tannoy North America  
 Tannoy Deutschland  
 Tannoy France

T: 00 44 (0) 1236 420199  
 T: 00 1 (519) 745 1158  
 T: 00 49 (180) 1111 881  
 T: 00 33 (0)1 7036 7473

E: enquiries@tannoy.com  
 E: inquiries@tannoyna.com  
 E: anfragen@tannoy.com  
 E: ventes@tannoy.com

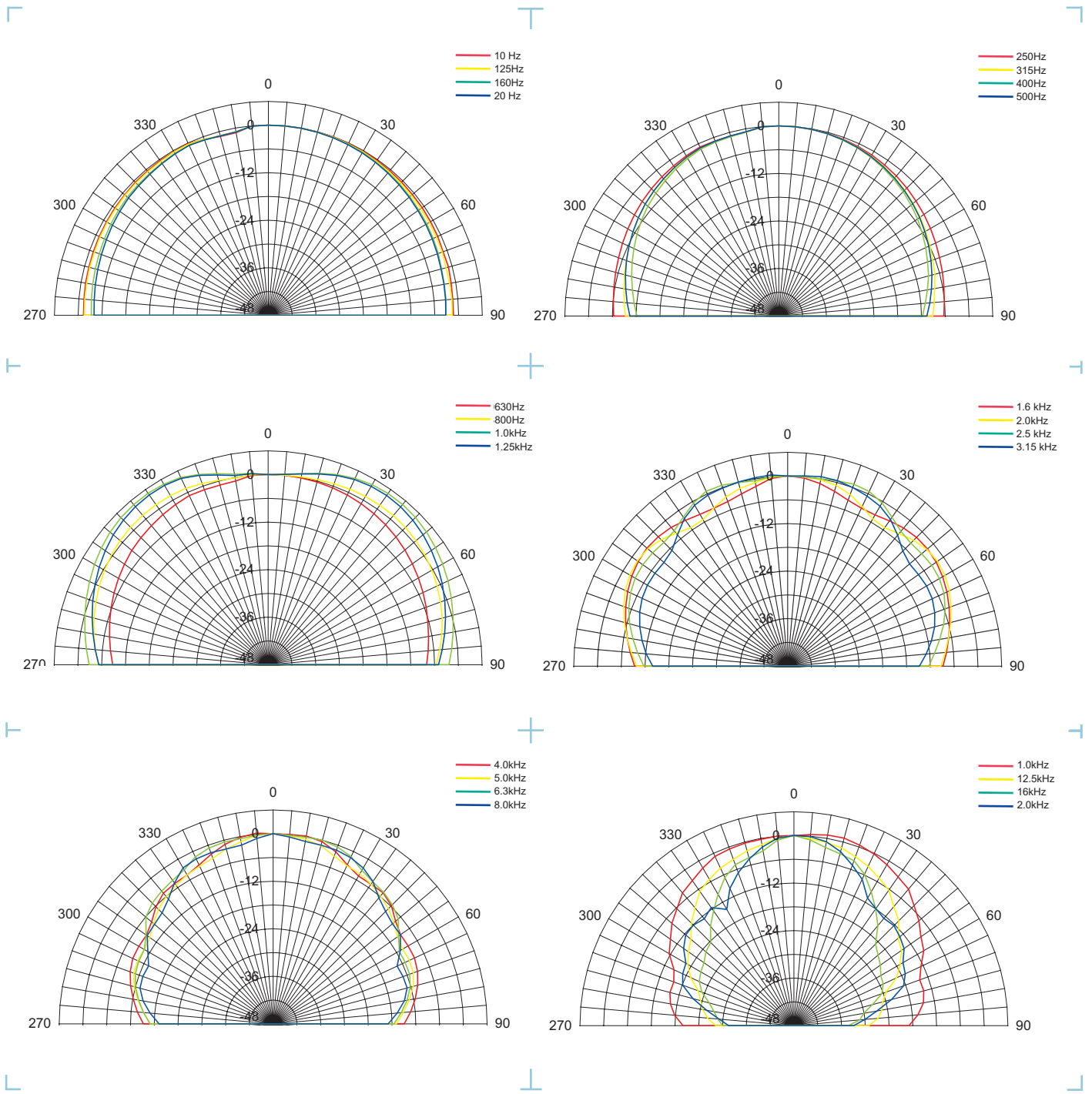
tannoy.com



# Definition Install iw63 DC

# TANNOY®

## PERFORMANCE MEASUREMENTS POLAR PLOTS (1/3 OCTAVE)



Tannoy United Kingdom  
 Tannoy North America  
 Tannoy Deutschland  
 Tannoy France

T: 00 44 (0) 1236 420199  
 T: 00 1 (519) 745 1158  
 T: 00 49 (180) 1111 881  
 T: 00 33 (0)1 7036 7473

E: enquiries@tannoy.com  
 E: inquiries@tannoyna.com  
 E: anfragen@tannoy.com  
 E: ventes@tannoy.com

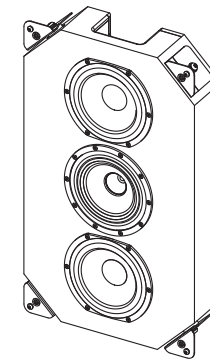
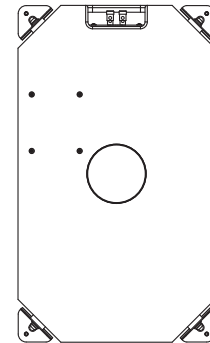
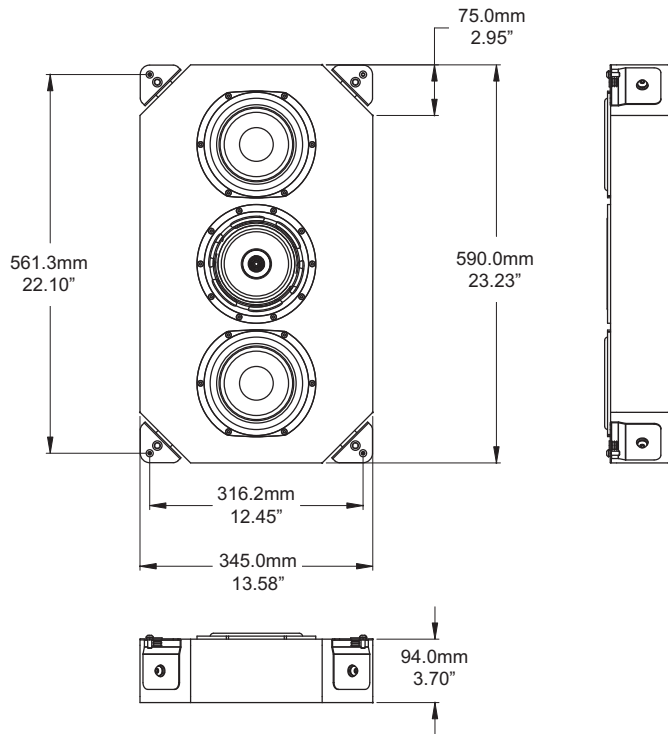
tannoy.com



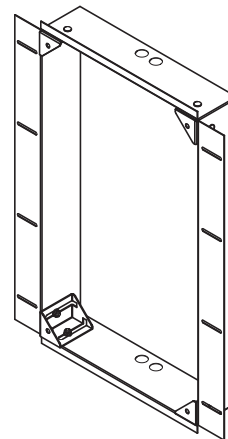
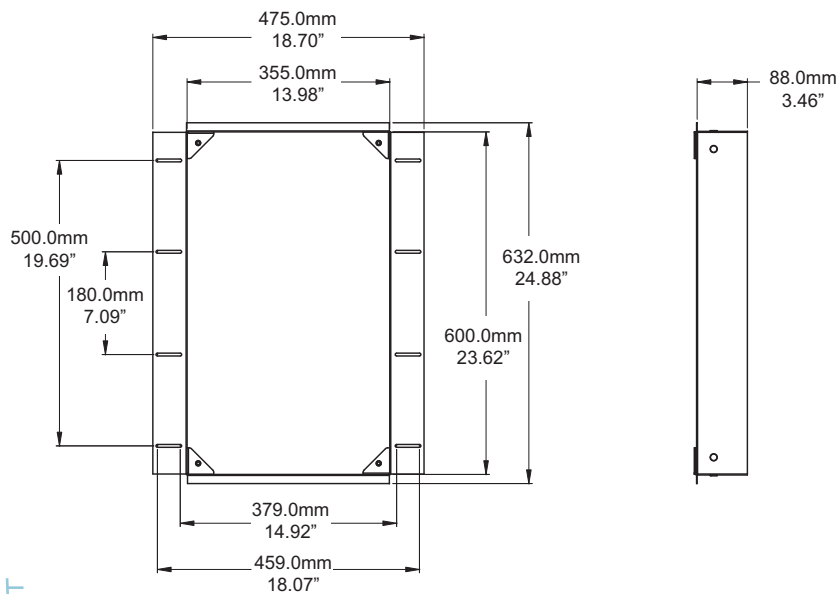
# Definition Install iw63 DC

# TANNOY®

## DIMENSIONAL SKETCHES



## OPTIONAL ACCESSORY PRE-INSTALLATION FRAME



### Ordering Information

PART NUMBER	MODEL NAME	COLOUR	PACKED QUANTITY
8000 5640	Pre-Install Frame - Definition Install	Unpainted metal	1

Tannoy United Kingdom  
 Tannoy North America  
 Tannoy Deutschland  
 Tannoy France

T: 00 44 (0) 1236 420199  
 T: 00 1 (519) 745 1158  
 T: 00 49 (180) 1111 881  
 T: 00 33 (0)1 7036 7473

E: enquiries@tannoy.com  
 E: inquiries@tannoyna.com  
 E: anfragen@tannoy.com  
 E: ventes@tannoy.com

tannoy®.com



## Architectural specifications

The loudspeaker shall consist of a 165mm (6.50") full range, point source Dual Concentric™ transducer and two 165mm (6.50") woofers. The low and high frequency elements of the Dual Concentric™ shall be combined by an internal passive crossover network operating at 1.5kHz, with dynamic HF protection, and the woofers with a passive crossover operating at 320Hz.

Performance of the loudspeaker, without any electronic control, shall meet or exceed the following criteria: Frequency range measured at 1 metre on axis with swept sine wave shall be 54Hz to 40kHz. Sensitivity shall be at least 91dB (anechoic) for 2.83 Volts @ 1 metre and shall be capable of producing a peak output level of 117dB (anechoic) on axis at 1 metre. The dispersion of the loudspeaker shall be 90 degrees conical (-6dB) with a coverage angle of 120 degrees conical. The system shall have a nominal impedance of 8 Ohms and maximum power handling shall be 200 Watts (programme).

The enclosure shall be an optimally tuned 11.50 litre closed MDF construction finished in textured black paint and supplied with a white powder coated perforated steel grille. Connectors shall be gold plated spring terminals.

The enclosure shall not exceed the following dimensions: 590 x 345 x 94mm (23.23 x 13.58 x 3.70") (H x W x D).

The in wall loudspeaker shall be the Tannoy... Definition Install iw63 DC.

Tannoy United Kingdom  
Tannoy North America  
Tannoy Deutschland  
Tannoy France

T: 00 44 (0) 1236 420199  
T: 00 1 (519) 745 1158  
T: 00 49 (180) 1111 881  
T: 00 33 (0)1 7036 7473

E: enquiries@tannoy.com  
E: inquiries@tannoyna.com  
E: anfragen@tannoy.com  
E: ventes@tannoy.com

tannoy®.com