



## Product Description

Designed for a wide variety of sound reinforcement applications, the Tannoy Di6 is a high performance, ultra compact surface mount weather resistant loudspeaker. A full bandwidth loudspeaker designed for commercial, professional and residential applications where environment durability and high quality sonic performance are required. Indoor or outdoor, these speakers are ideally suited to stereo or monaural background or foreground music systems in such applications as diverse as theme parks, retail premises, restaurants and cafés, corporate audio visual, residential developments and houses of worship.

Equipped with Tannoy's unique and exclusive point source ICT™ 165mm (6.50") drive unit, the Di6 delivers an acoustic performance of outstanding clarity, definition and detail. The point source configuration of the Tannoy ICT™ driver's mid-bass and tweeter sections ensures a wide and controlled dispersion for optimum coverage; this while avoiding the massive loss of energy in the vertical plane, at the crossover frequency, inherent in two-way discrete designs. The ICT™ (Inductive Coupling Technology) drive unit also addresses the two most common component failures experienced in background music and sound reinforcement systems, the tweeter and the crossover reliability. The use of a wireless electromagnetic tweeter means that no crossover is required in the design; this therefore ensures that an ICT™ unit is exceptionally reliable and therefore ideal for applications where constant heavy usage is the norm. This aluminium high frequency dome has a deep drawn skirt that sits on the inside of the low frequency voice coil in the same magnetic gap. The skirt is like a single shorted turn that is induced with high frequency information generated by the low frequency voice coil, which is fed a full bandwidth signal. The mineral loaded polypropylene cone material and nitrile rubber surround further enhance durability and long-term reliability.

Available in textured black or white painted finish with matching rubber trims, the outstandingly durable and scuff resistant, high impact polystyrene (HIPS) Di enclosure is weather resistant, rated IP64 to EN60529 (IEC529); a construction fully optimised for consistent performance in adverse conditions indoors or out.

Modification is possible by application of alternative colour trims. Two standard colour trim options are available from stock; enabling black or white product to be supplied factory pre-fitted with either red or blue trims.

Other trim colours can also be created to suit specific requirements, but only as a special order customisation subject to minimum order quantities. Primarily aimed at corporate branding applications, this aesthetic flexibility will also enable colour coordination for larger installs.

### Transformer version - the Di6t

The Di6t model option is equipped with an internally mounted low insertion loss line transformer for 70V or 100V distributed sound applications. Wattage taps are easily configurable to the following settings via an easily accessible rotary tapping switch, which is bottom panel mounted under the rubber trim.  
70V: 30W / 15W / 7.5W / 3.75W / OFF & Low Impedance operation  
100V: 30W / 15W / 7.5W / OFF & Low Impedance operation

## Features

- 165mm (6.50") ICT™ transducer for high performance and durability
- 90 degree controlled conical dispersion for optimum coverage and forward gain
- Weather resistant rated IP64 to EN60529 (IEC529)
- High power handling and extended bandwidth
- Phase coherent design for superior vocal articulation and music reproduction
- No crossover required, ensuring better phase, impedance and sensitivity response and increased durability
- Yoke bracket supplied, optional accessories include pole mount adaptor and the unique K-Ball™ pre-wired, fully adjustable multi-angle bracket
- Five year loudspeaker warranty

### Transformer version - the Di6t

- Low insertion loss 60W transformer for a more and dynamic performance in distributed audio installations
- Bottom mounted switch for line voltage settings

## Applications

- Indoor or outdoor commercial, professional and residential installations
- High level stereo or monaural background or foreground music and speech paging systems
- Theme parks
- Theme bars
- Reception / waiting rooms
- Airports, convention centres and hotels
- Business music systems
- Boardrooms and offices
- Cruise ships
- Retail outlets and shopping malls
- Restaurants and cafes
- Corporate audio visual
- Residential developments
- Houses of worship

Tannoy United Kingdom  
Tannoy North America  
Tannoy Deutschland  
Tannoy France

T: 00 44 (0) 1236 420199  
T: 00 1 (519) 745 1158  
T: 00 49 (180) 1111 881  
T: 00 33 (0)1 7036 7473

E: enquiries@tannoy.com  
E: inquiries@tannoyna.com  
E: anfragen@tannoy.com  
E: ventes@tannoy.com



## TECHNICAL SPECIFICATIONS

System	Di6 / Di6t
Frequency Response (-3dB) <sup>(1)</sup>	75Hz - 22kHz
Frequency Range (-10dB) <sup>(1)</sup>	55Hz - 24kHz
System Sensitivity (1W @1m) <sup>(2)</sup>	90dB (1W = 2.45V for 6 Ohms)
Dispersion (-6dB)	90 degrees conical
<b>Driver Complement</b>	
Low Frequency	1x 165mm (6.50") Mineral loaded polypropylene
High Frequency	25mm (1.00") ICT™
<b>Crossover</b>	7kHz inductively coupled
<b>Directivity Factor (Q)</b>	10.5 averaged 1kHz to 10kHz
<b>Directivity Index (DI)</b>	8.4 averaged 1kHz to 10kHz
<b>Rated Maximum SPL</b> <sup>(2)</sup>	
Average	107dB
Peak	113dB
<b>Power Handling</b>	
Average	60W
Programme	120W
Peak	240W
<b>Recommended Amplifier Power</b>	120W @ 6 Ohms
<b>Nominal Impedance</b>	6 Ohms
<b>Di6t - Transformer Taps (Bottom rotary switch)</b>	
<b>70V</b>	60W / 30W/15W / 7.5W / 3 / OFF & low impedance operation
<b>100V</b>	60W / 30W / 15W / 7.5W / OFF & low impedance operation
<b>Distortion</b>	
<b>10% Full Power (6V)</b>	2nd Harmonic    3rd Harmonic
250Hz	1.86%            0.12%
1kHz	1.17%            0.54%
10kHz	1.1%              0.04%
<b>1% Full Power (1.9V)</b>	2nd Harmonic    3rd Harmonic
250Hz	0.70%            0.14%
1kHz	0.45%            0.39%
10kHz	0.25%            0.065%

Construction	
<b>Enclosure</b>	High Impact Polystyrene (HIPS) rated IP64 to EN60529 (IEC529)
<b>Grille</b>	Steel, with weather resistant coating
<b>Finish</b>	Textured black or white paint (custom trim colours can be supplied pre-fitted to special order - minimum order quantity applies)
<b>Connectors</b>	Euroblock type removable locking connector with screw terminals with "loop through" facility
<b>Fittings</b>	1 x K-Ball™ bracket socket, 2 x M8 yoke bracket inserts
<b>Supplied Accessories</b>	Yoke bracket
<b>Optional Accessories</b>	Pole mount adaptor, multi angle K-Ball™ pre-wired bracket
<b>Dimensions</b>	357.5 x 230 x 223.2mm (H x W x D) (14.08 x 9.05 x 8.79") (H x W x D)
<b>NET Weight</b>	5.0kg (11.02lbs)

Notes:

(1) Average over stated bandwidth. Measured at 1 metre on axis.

(2) Unweighted pink noise input, measured at 1 metre in an anechoic chamber

A full range of measurements, performance data, CLF and Ease™ Data can be downloaded from [www.tannoy.com](http://www.tannoy.com)

Full independent verification of published specifications carried out by NWA Labs, California can also be obtained from the downloads section of [www.tannoy.com](http://www.tannoy.com)

Tannoy operates a policy of continuous research and development. The introduction of new materials or manufacturing methods will always equal or exceed the published specifications, which Tannoy reserves the right to alter without prior notice. Please verify the latest specifications when dealing with critical applications.

### Ordering Information

PART NUMBER	MODEL NAME	COLOUR	PACKED QUANTITY	PACKED WEIGHT
8001 4070	Di6	Black	2	5.5kg (12.12lbs)
8001 4071	Di6	White	2	5.5kg (12.12lbs)
8001 4100	Di6t	Black	2	7.0kg (15.43lbs)
8001 4101	Di6t	White	2	7.0kg (15.43lbs)

Tannoy United Kingdom  
Tannoy North America  
Tannoy Deutschland  
Tannoy France

T: 00 44 (0) 1236 420199  
T: 00 1 (519) 745 1158  
T: 00 49 (180) 1111 881  
T: 00 33 (0)1 7036 7473

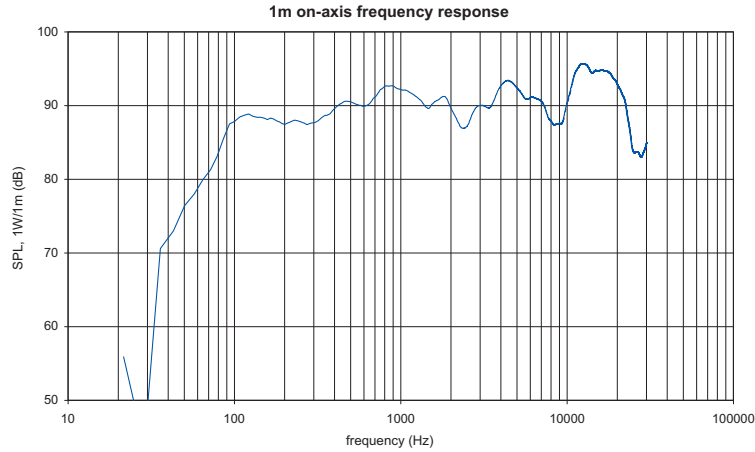
E: [enquiries@tannoy.com](mailto:enquiries@tannoy.com)  
E: [inquiries@tannoyna.com](mailto:inquiries@tannoyna.com)  
E: [anfragen@tannoy.com](mailto:anfragen@tannoy.com)  
E: [ventes@tannoy.com](mailto:ventes@tannoy.com)



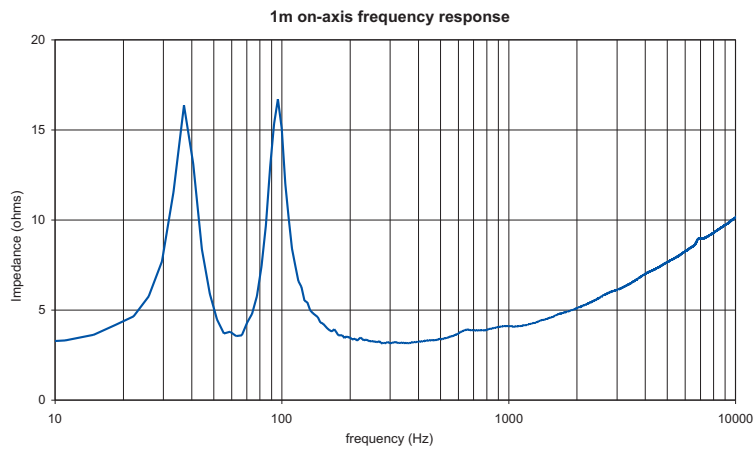
# Di6

# TANNOY®

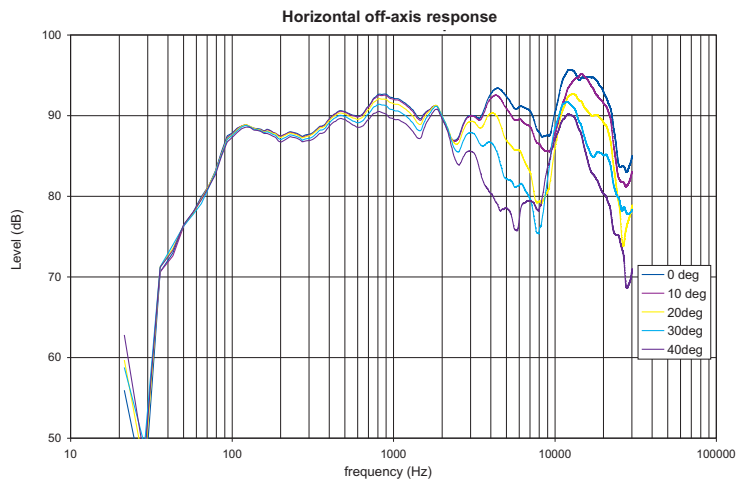
## PERFORMANCE MEASUREMENTS



**ANECHOIC  
FREQUENCY  
RESPONSE**



**IMPEDANCE**



**OFF AXIS  
RESPONSE**

Tannoy United Kingdom  
 Tannoy North America  
 Tannoy Deutschland  
 Tannoy France

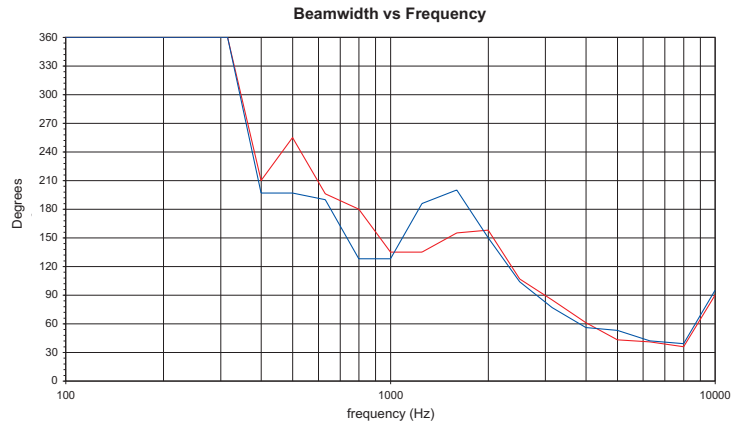
T: 00 44 (0) 1236 420199  
 T: 00 1 (519) 745 1158  
 T: 00 49 (180) 1111 881  
 T: 00 33 (0)1 7036 7473

E: enquiries@tannoy.com  
 E: inquiries@tannoyna.com  
 E: anfragen@tannoy.com  
 E: ventes@tannoy.com

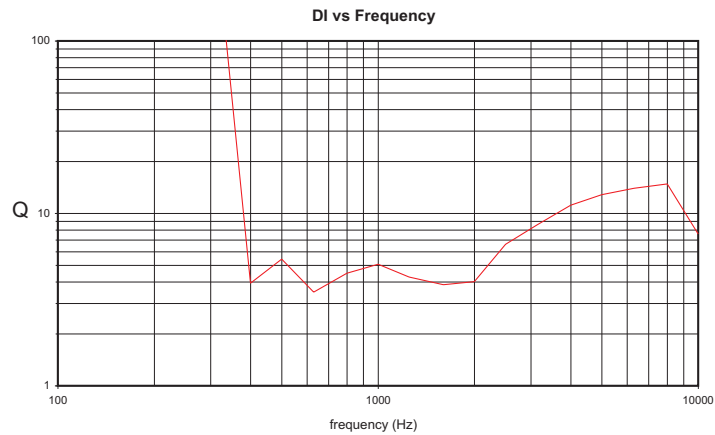
tannoy®.com



## PERFORMANCE MEASUREMENTS



BEAMWIDTH



DIRECTIVITY INDEX

Tannoy United Kingdom  
 Tannoy North America  
 Tannoy Deutschland  
 Tannoy France

T: 00 44 (0) 1236 420199  
 T: 00 1 (519) 745 1158  
 T: 00 49 (180) 1111 881  
 T: 00 33 (0)1 7036 7473

E: enquiries@tannoy.com  
 E: inquiries@tannoyna.com  
 E: anfragen@tannoy.com  
 E: ventes@tannoy.com

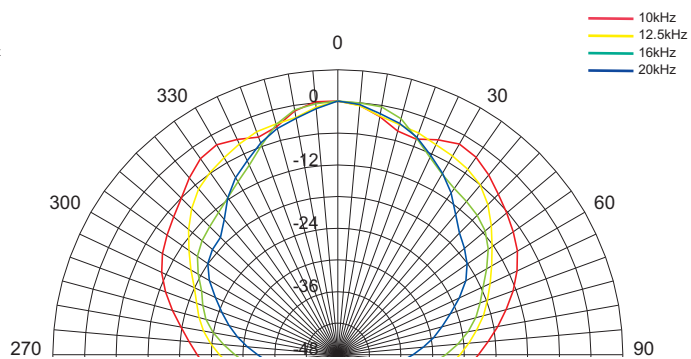
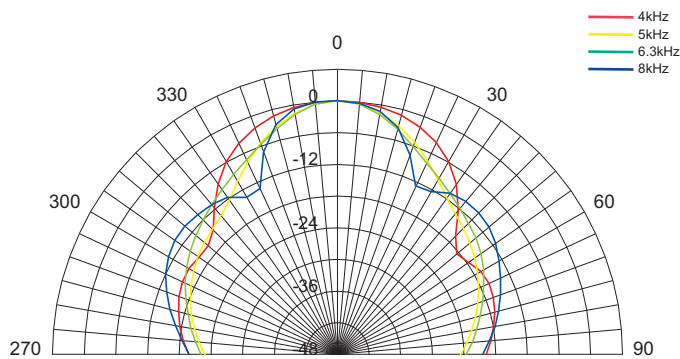
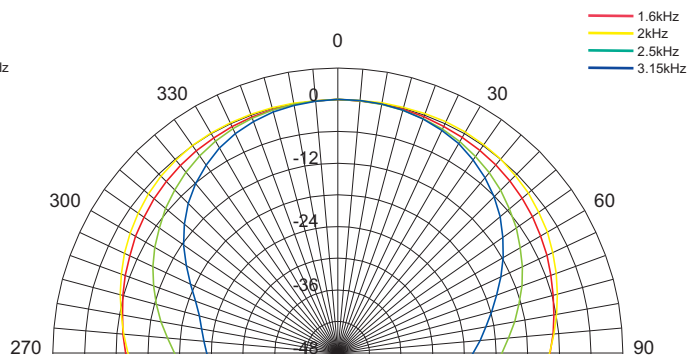
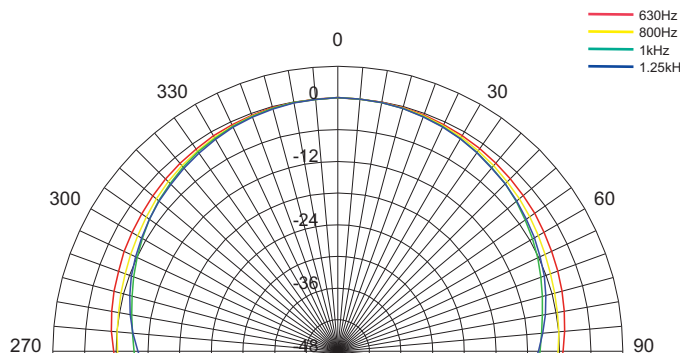
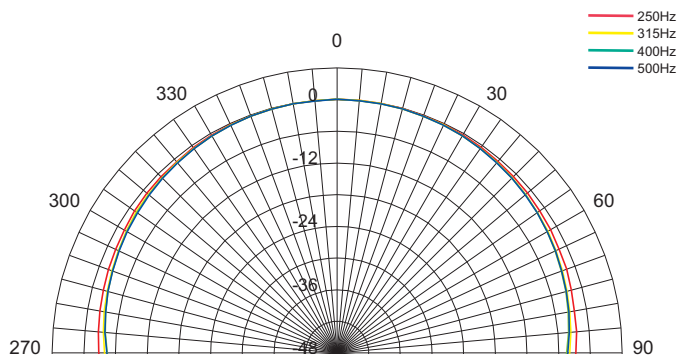
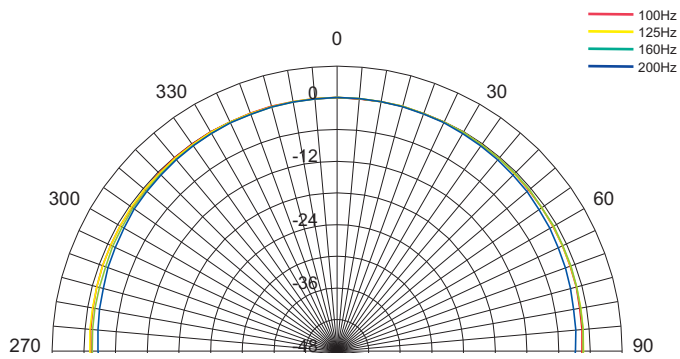
tannoy®.com



# Di6

# TANNOY®

## PERFORMANCE MEASUREMENTS POLAR PLOTS (1/3 OCTAVE)



Tannoy United Kingdom  
 Tannoy North America  
 Tannoy Deutschland  
 Tannoy France

T: 00 44 (0) 1236 420199  
 T: 00 1 (519) 745 1158  
 T: 00 49 (180) 1111 881  
 T: 00 33 (0)1 7036 7473

E: enquiries@tannoy.com  
 E: inquiries@tannoyna.com  
 E: anfragen@tannoy.com  
 E: ventes@tannoy.com

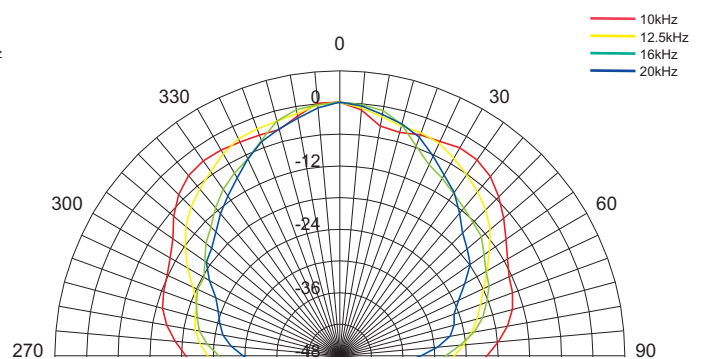
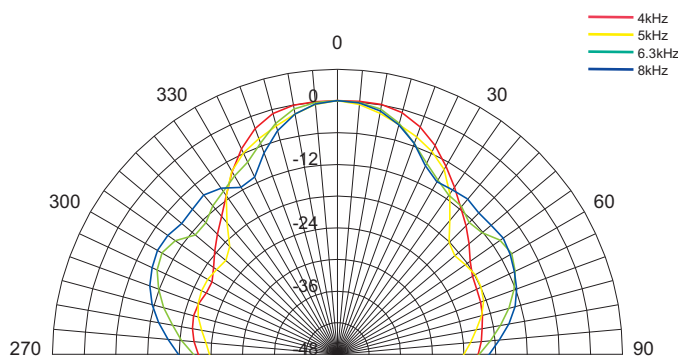
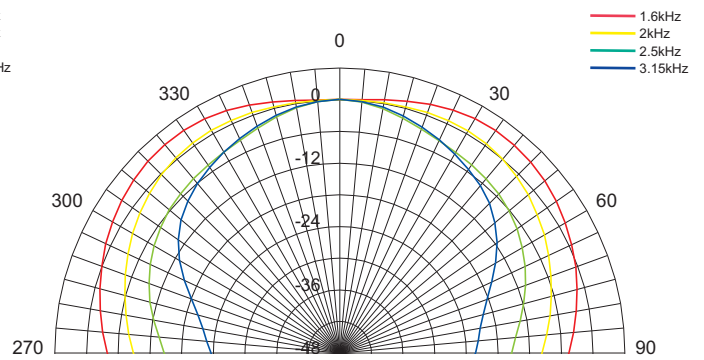
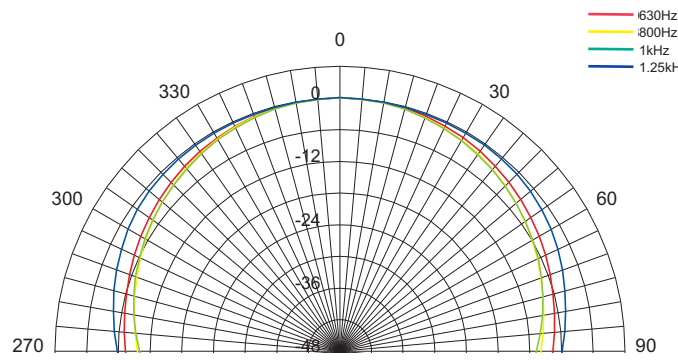
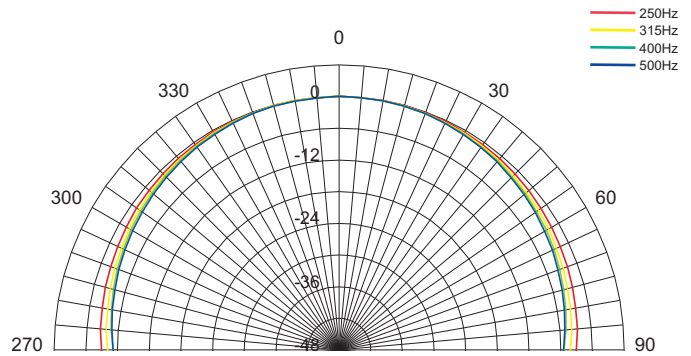
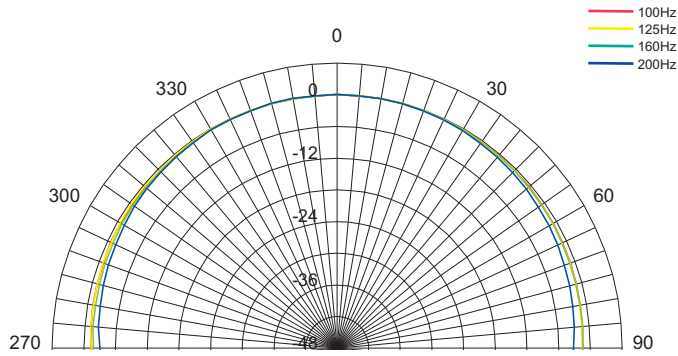
tannoy.com



# Di6

# TANNOY®

## PERFORMANCE MEASUREMENTS POLAR PLOTS (1/3 OCTAVE)



Tannoy United Kingdom  
 Tannoy North America  
 Tannoy Deutschland  
 Tannoy France

T: 00 44 (0) 1236 420199  
 T: 00 1 (519) 745 1158  
 T: 00 49 (180) 1111 881  
 T: 00 33 (0)1 7036 7473

E: enquiries@tannoy.com  
 E: inquiries@tannoyna.com  
 E: anfragen@tannoy.com  
 E: ventes@tannoy.com

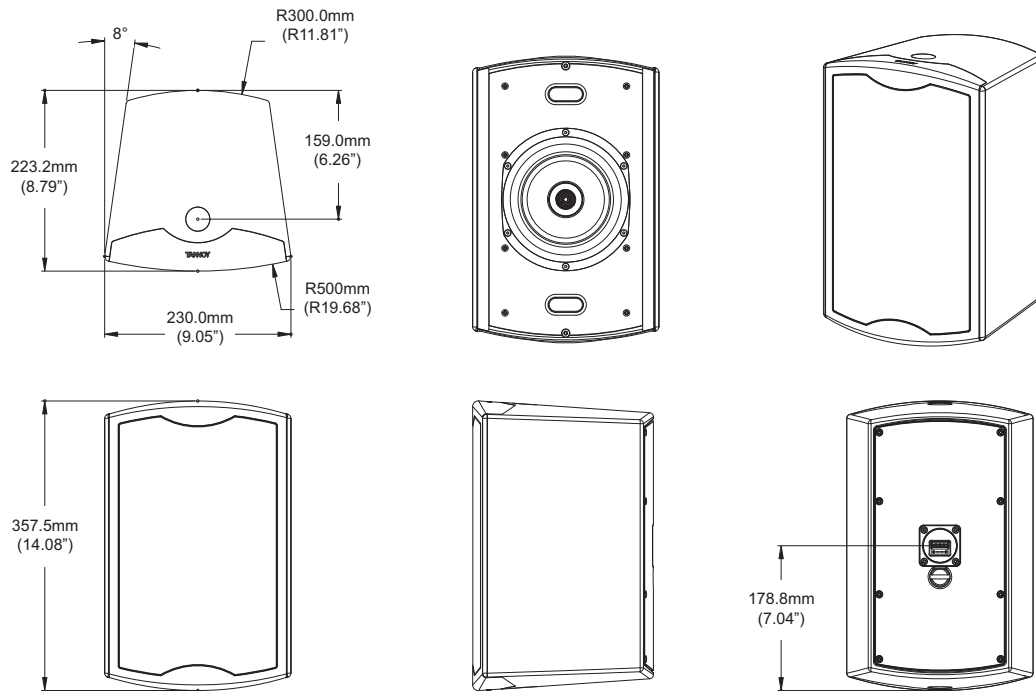
tannoy.com



# Di6

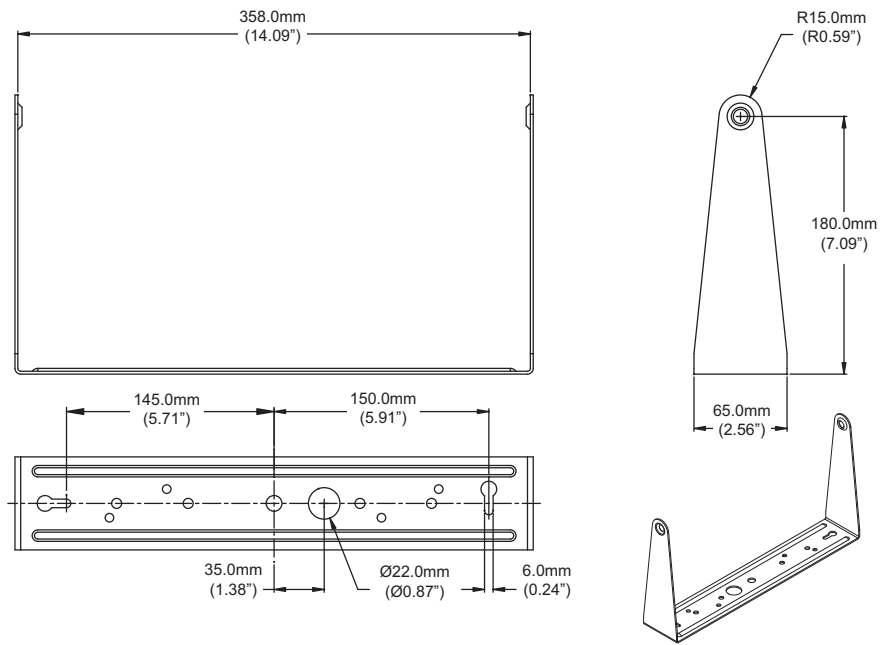
# TANNOY®

## DIMENSIONAL SKETCHES



## SUPPLIED MOUNTING BRACKET

### Di6 Yoke



Tannoy United Kingdom  
 Tannoy North America  
 Tannoy Deutschland  
 Tannoy France

T: 00 44 (0) 1236 420199  
 T: 00 1 (519) 745 1158  
 T: 00 49 (180) 1111 881  
 T: 00 33 (0)1 7036 7473

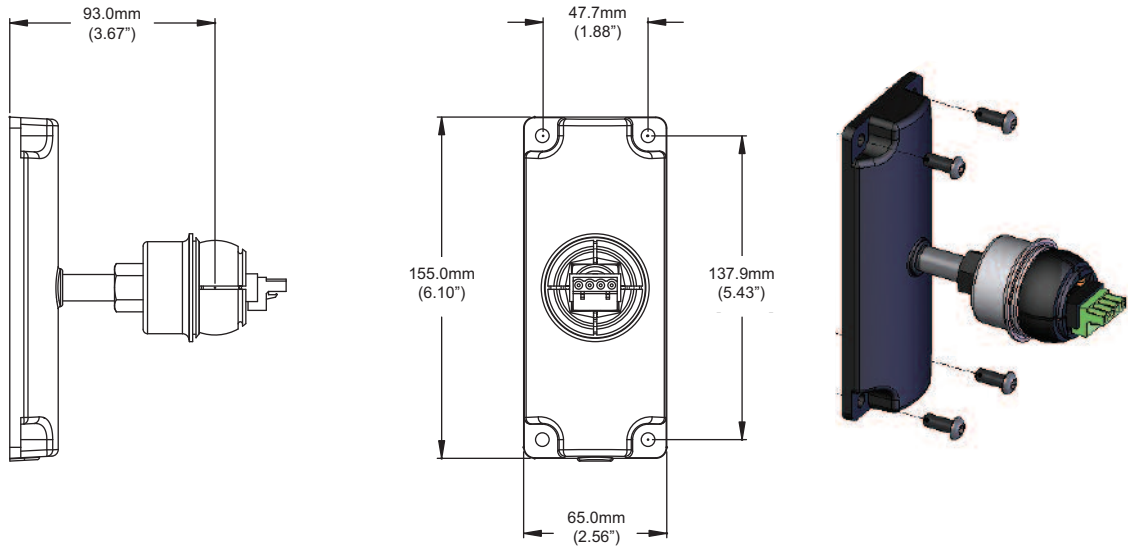
E: enquiries@tannoy.com  
 E: inquiries@tannoyna.com  
 E: anfragen@tannoy.com  
 E: ventes@tannoy.com

tannoy.com

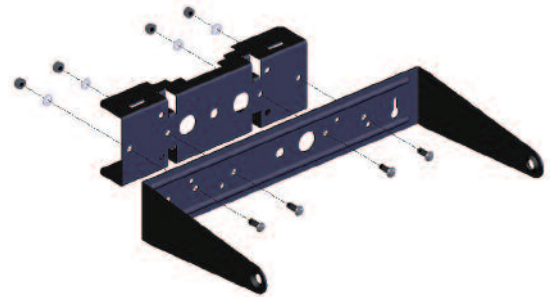
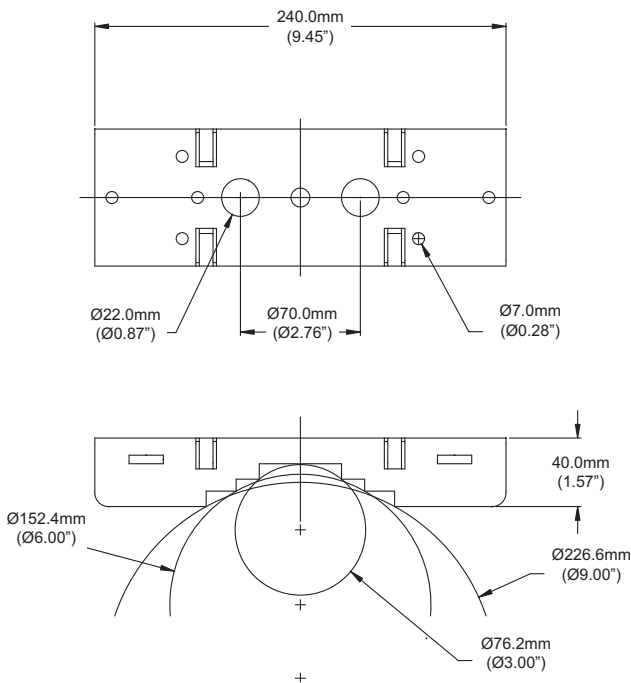


## OPTIONAL ACCESSORIES

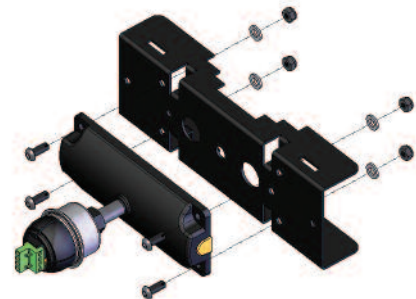
### K-Ball™ Bracket



### Pole Mount Adapter



Pole Mount Adapter with Yoke bracket



Pole Mount Adapter with K-Ball™ bracket

### Ordering Information

PART NUMBER	MODEL NAME	COLOUR	PACKED QUANTITY
8001 4190	K-Ball™ Bracket	Black	1
8001 4191	K-Ball™ Bracket	White	1
8001 4600	Pole Mount Adapter	Black	1
8001 4601	Pole Mount Adapter	White	1

Tannoy United Kingdom  
 Tannoy North America  
 Tannoy Deutschland  
 Tannoy France

T: 00 44 (0) 1236 420199  
 T: 00 1 (519) 745 1158  
 T: 00 49 (180) 1111 881  
 T: 00 33 (0)1 7036 7473

E: enquiries@tannoy.com  
 E: inquiries@tannoyna.com  
 E: anfragen@tannoy.com  
 E: ventes@tannoy.com

tannoy.com





## Architectural specifications Di6

The weather resistant, full bandwidth surface mount speaker system shall consist of a 165mm (6.50") full range, point source ICT™ transducer mounted in an optimally tuned vented, injection moulded high impact polystyrene (HIPS) enclosure, rated IP64 to EN60529 (IEC529). The protective grille shall be constructed from steel with a weather resistant coating.

Performance of the Di6 surface mount speaker shall meet or exceed the following criteria: The system shall have a conical coverage pattern of 90 degrees (-6dB). Frequency response measured on axis shall be 55Hz - 24kHz (-10dB from rated sensitivity, average over stated bandwidth. Measured at 1 metre in an anechoic chamber) with no equalisation. Sensitivity shall be 90dB (1W = 2.45V for 6 Ohms). Long term power handling capacity as defined in EIA-426B test shall be 60W, recommended amplifier power 120W. The nominal system impedance shall be 6 Ohms (in low impedance setting).

A termination recess shall be integrated with the rear panel, a removable Euroblock type locking connector with screw terminals for secure wire termination with "loop through" facility shall be provided. A yoke mounting bracket shall be included with the speaker system and additional security shall be provided by a tie back point.

The dimensions shall not exceed 357.5 x 230 x 223.2mm (14.08 x 9.05 x 8.79").

The surface mount speaker system shall be the.....Di6.

## Architectural specifications Di6t

The weather resistant, full bandwidth surface mount speaker system shall consist of a 165mm (6.50") full range, point source ICT™ transducer mounted in an optimally tuned vented, injection moulded high impact polystyrene (HIPS) enclosure rated IP64 to EN60529 (IEC529). The protective grille shall be constructed from steel with a weather resistant coating.

Performance of the Di6t surface mount speaker shall meet or exceed the following criteria: The system shall have a conical coverage pattern of 90 degrees (-6dB). Frequency response measured on axis shall be 55Hz - 24kHz (-10dB from rated sensitivity, average over stated bandwidth. Measured at 1 metre in an anechoic chamber) with no equalisation. Sensitivity shall be 90dB (1W = 2.45V for 6 Ohms). Long term power handling capacity as defined in EIA-426B test shall be 60W, recommended amplifier power 120W. The nominal system impedance shall be 6 Ohms (in low impedance setting).

The Di6t speaker system shall be equipped with a 60W high performance line transformer for use in 70.7 or 100 Volt distributed audio systems with 60W / 30W / 15W / 7.5W\* Watt, OFF and Low Impedance taps available. An easily accessible rotary switch located under the rubber trim on the top of the cabinet shall be available for selecting transformer and low impedance settings.

A termination recess shall be integrated with the rear panel, a removable Euroblock type locking connector with screw terminals for secure wire termination with "loop through" facility shall be provided. A yoke mounting bracket shall be included with the speaker system and additional security shall be provided by a tie back point.

The dimensions shall not exceed 357.5 x 230 x 223.2mm (14.08 x 9.05 x 8.79").

The surface mount speaker system shall be the.....Di6t.

\*70 Volt only



# Di6

# TANNOY®

## NOTES

Large grid area for notes.

Horizontal lines for additional notes.

Tannoy United Kingdom  
Tannoy North America  
Tannoy Deutschland  
Tannoy France

T: 00 44 (0) 1236 420199  
T: 00 1 (519) 745 1158  
T: 00 49 (180) 1111 881  
T: 00 33 (0)1 7036 7473

E: enquiries@tannoy.com  
E: inquiries@tannoyna.com  
E: anfragen@tannoy.com  
E: ventes@tannoy.com

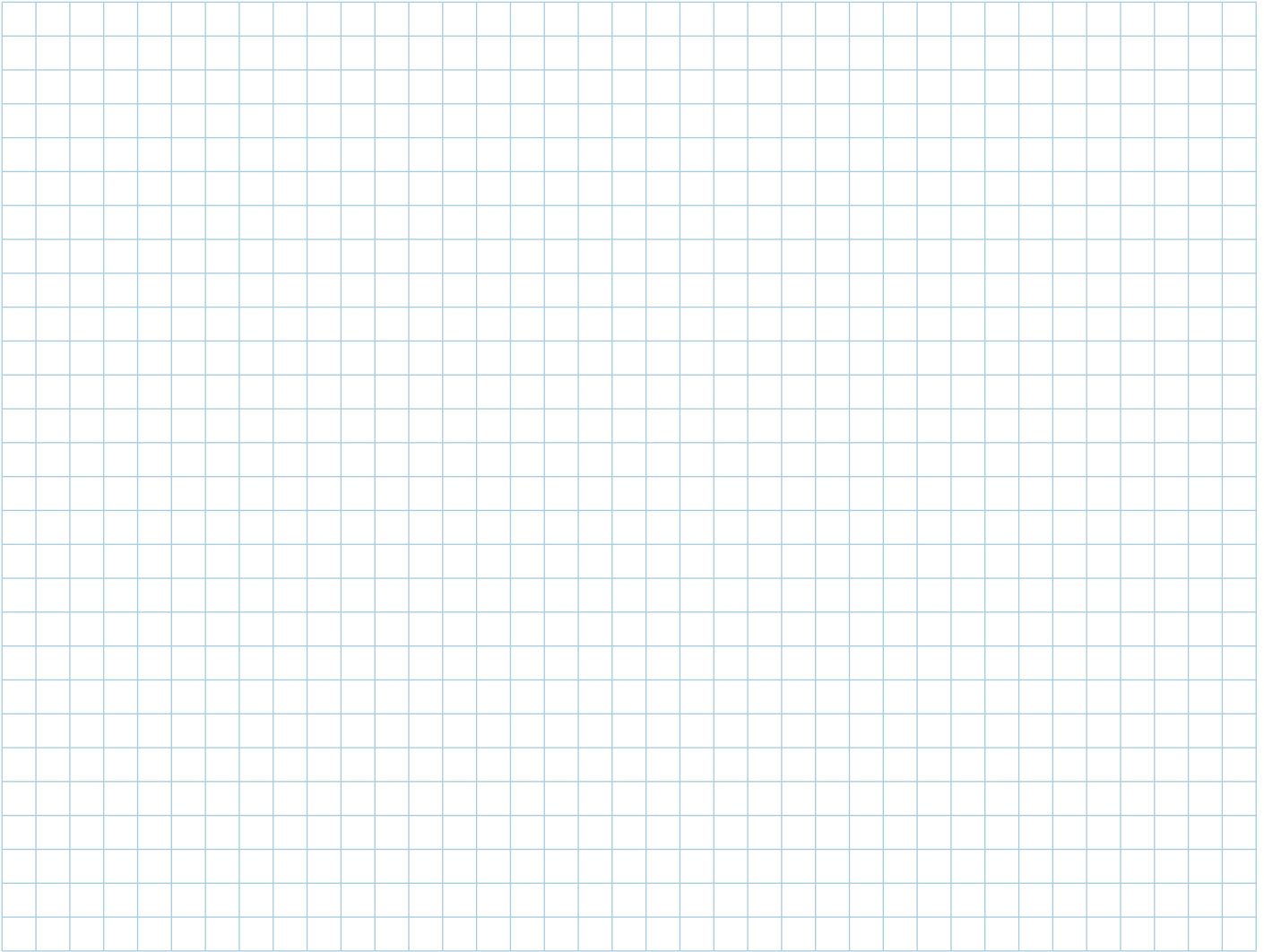
tannoy®.com



# Di6

# TANNOY®

## NOTES



---

---

---

---

---

---

---

---

---

---

---

---

---

---

---

---

---

---

---

---

---

---

---

---

---

---

---

---

---

---

Tannoy United Kingdom	T: 00 44 (0) 1236 420199	E: enquiries@tannoy.com
Tannoy North America	T: 00 1 (519) 745 1158	E: inquiries@tannoyna.com
Tannoy Deutschland	T: 00 49 (180) 1111 881	E: anfragen@tannoy.com
Tannoy France	T: 00 33 (0)1 7036 7473	E: ventes@tannoy.com

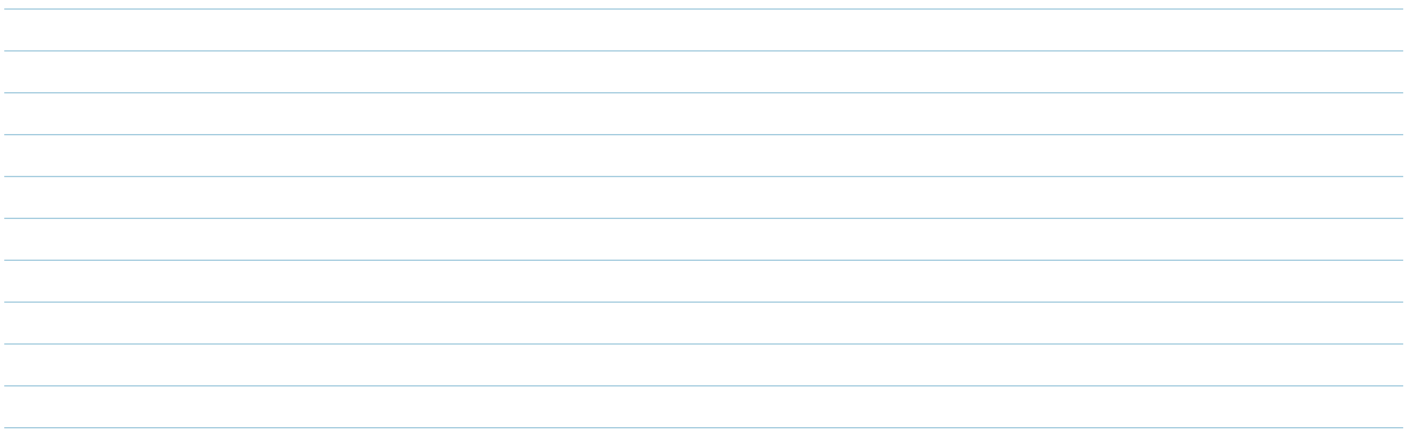
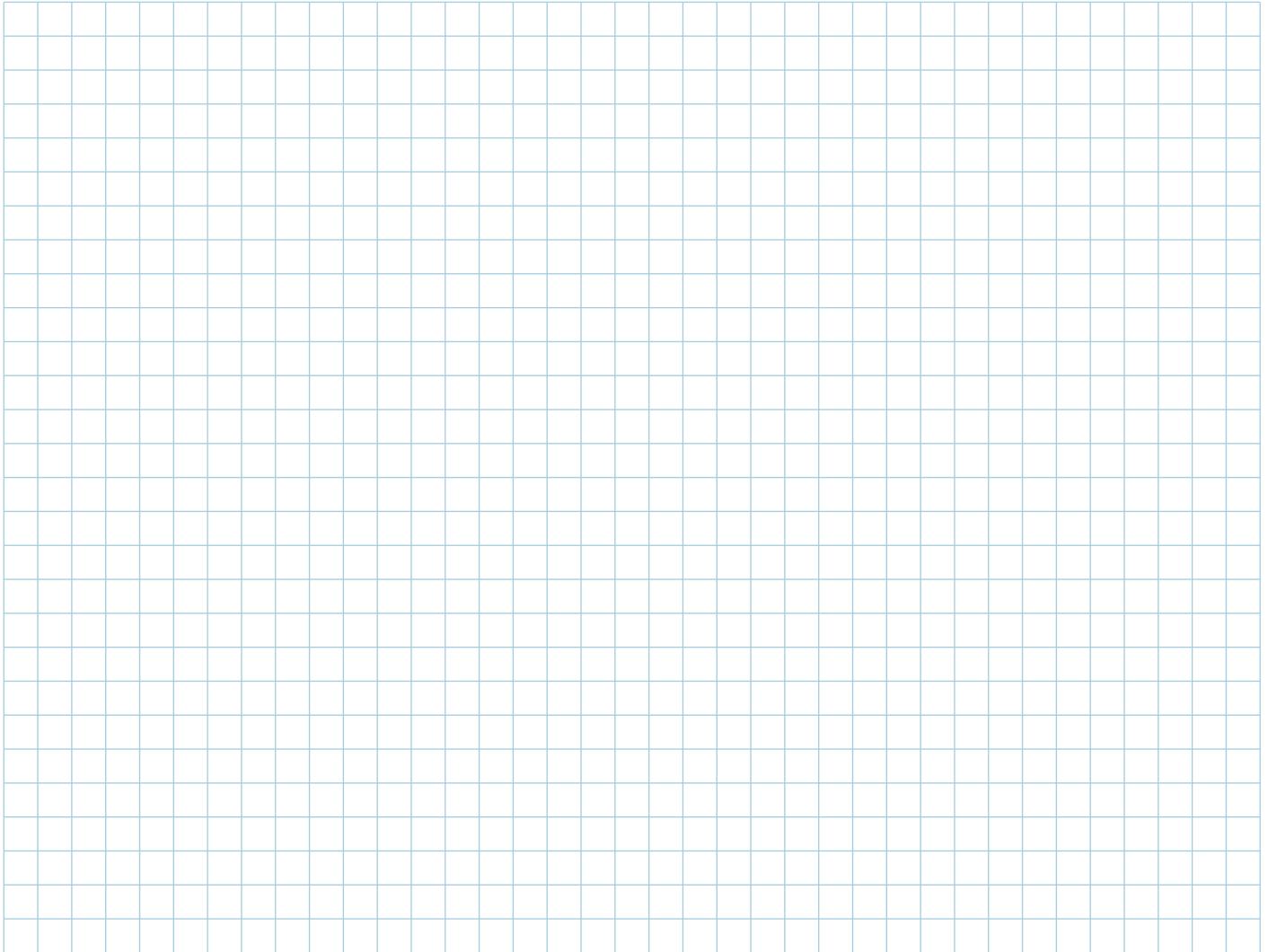
**tannoy®.com**



# Di6

# TANNOY®

## NOTES



Tannoy United Kingdom  
Tannoy North America  
Tannoy Deutschland  
Tannoy France

T: 00 44 (0) 1236 420199  
T: 00 1 (519) 745 1158  
T: 00 49 (180) 1111 881  
T: 00 33 (0)1 7036 7473

E: enquiries@tannoy.com  
E: inquiries@tannoyna.com  
E: anfragen@tannoy.com  
E: ventes@tannoy.com

## tannoy®.com