

VENICEU

Preliminary Information







Introducing the VeniceU

At first glance, VeniceU looks like a straightforward, easy-to-use analogue audio console. However, VeniceU continues MIDAS' engineering concept of a hybrid mixer offering a fusion of both analogue and digital technology.

The "Digi-log" VeniceU is much more than a great-sounding, easy-to-use audio console. The VeniceU offers wider accessibility to MIDAS Digi-log technology than ever before, representing an integrated audio mixing, recording and processing package.

At MIDAS, we know what it takes to design and build live sound consoles for the world's most demanding tours and installations. One look at the VeniceU confirms that this console continues the legacy established by the ground-breaking MIDAS consoles which have been at the heart of so many historic live performances. From the VeniceUs class-leading EQ filters, to the latest expression of that legendary MIDAS mic pre, this is a console which compromises only on price.

The VeniceU's buss structure is identical to the larger VeniceF - six aux sends, four groups, stereo masters, discrete mono buss and a 7 x 2 matrix. All buss outputs feature XLR connectors and insert capability. All six aux sends are switchable pre or post fade, and the two aux busses designated as monitor (fold back) sends are also switchable pre/post EQ on an individual channel basis.

VENICE U

Overload tolerant MIDAS mic pre with polarity switch, high pass filter and 20 dB pad

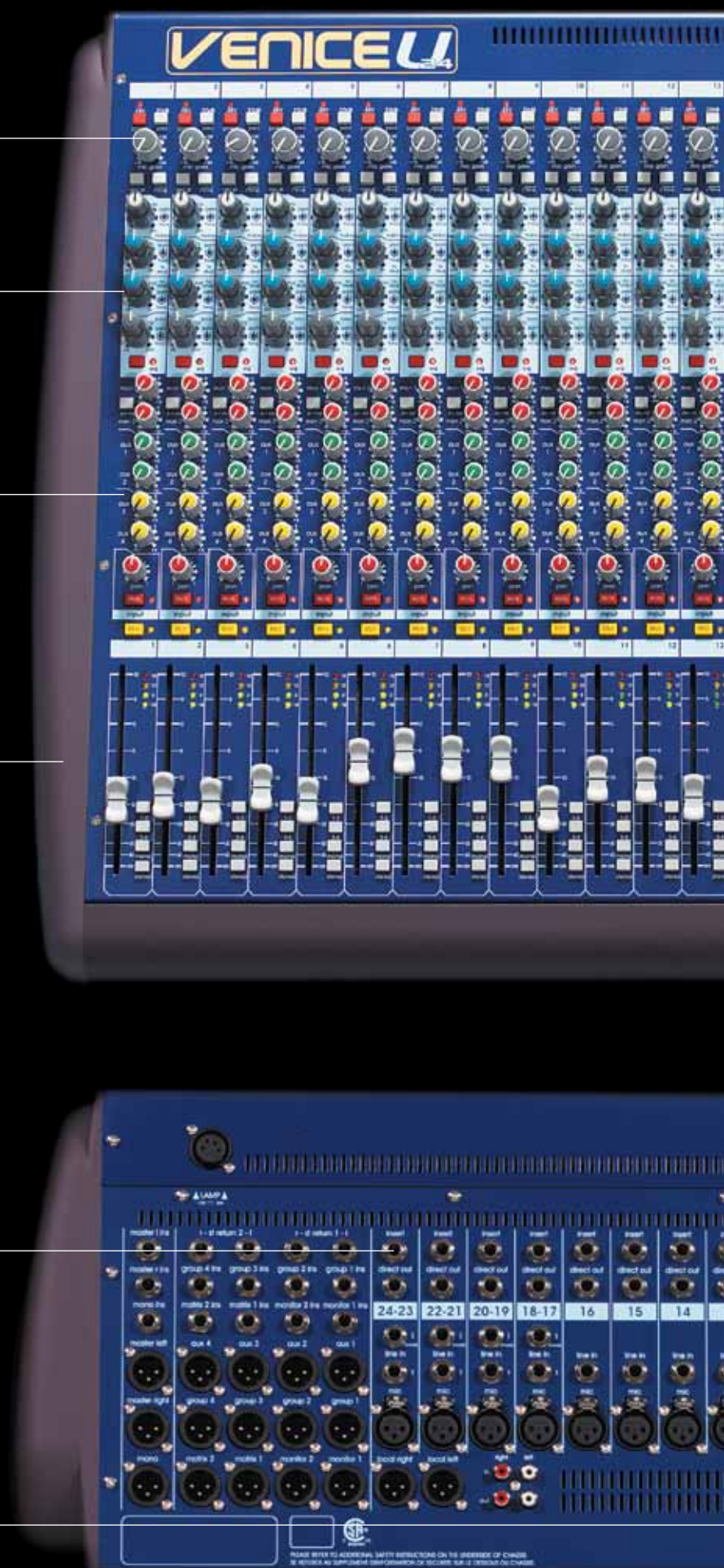
Industry acclaimed 4 band swept MIDAS EQ

6 auxes with individual buss pre/post fade switching and routing to USB

Rugged, roadworthy, tour proven construction with 3 year warranty

Analogue insert points

8 input / 8 output 24-Bit USB digital audio interface – flexible routing options include multi-function inputs and busses





Individual phantom power for each mic input (including multi-function channels)

Multi-function channels have fully featured mono mic pre's

7x2 matrix with stereo split switching and routing to USB

4 audio subgroups with fader flip to auxes and routing to USB

Discrete stereo master buss with routing to USB plus discrete mono master buss



Analogue direct outputs

Highly efficient integral auto-ranging switch mode power supply



Mono Channels

Feature the indispensable MIDAS mic pre, still crafted from discrete components, rather than cheaper IC options. The 20mm input gain is complimented by a quartet of switches, +48 V, -20 dB, polarity reverse and 80 Hz hi-pass filter.

Mono channels can be routed to all six aux busses, the four subgroups in odd/even pairs, left and right masters via pan control, and discrete mono master output. Superior quality 100mm faders give precise control over the mix, while providing that reassuringly tactile MIDAS touch.



EQ

The equaliser section features four bands of superb MIDAS EQ, with swept filters on all four bands, an EQ in/out switch and LED status indicator. Additional switch functions with LED status indication are mute and solo. Metering is provided by a highly accurate four element LED display.



Multi-function Channels

Have one mono mic, one stereo line, and a stereo USB input each. Each of the four multi-function channels feature separate gain for mono mic and stereo line inputs. They have the same mic amp functions as the mono channels, four-band fixed frequency MIDAS EQ with in/out switch and LED status indicator. Additional switch functions with LED status indication are for mute and solo. The stereo USB inputs are intended to be used for either stereo media playback, stereo digital FX returns, or submixes created in the DAW.

Multi-function channels can be routed to all six aux busses, the four subgroups in odd/even pairs, left, right and mono masters.



Auxiliary Sends

The VeniceU has six aux busses, all of which are switchable pre or post-fade on a buss-by-buss basis. The first pair, designated as "monitor" mixes, are also switchable pre or post input channel EQ on an individual channel basis. This means that the input channels send to the monitors can be independent of the channel EQ.

All aux sends have master level rotary controls, mute and solo switches, and feature balanced XLR output connectors. The two "monitor" mix auxes are also equipped with single TRS insert points.

All six aux sends can be routed to the USB audio interface, facilitating their use as recording or FX sends in conjunction with a suitably equipped computer.



Sub Groups

The VeniceU has four subgroups, all of which feature 100mm fader, mute and solo switches with LED status indication. All subgroups can be routed to the stereo master outputs via a pan control, and also independently to the mono master output and to the USB interface. A fader changeover switch is provided for each subgroup, facilitating the group and aux signal paths to be swapped.

All four subgroups feature balanced XLR output connectors and single TRS insert points.



Master Outputs

A single 100mm fader controls the Left and Right outputs, which also have Mute and Solo switches with LED indication. A balance pot is provided for matching the L & R levels, and a switch for routing the L & R mix to the Mono output, which features 100mm fader and mute and solo switches.

All three master outputs feature balanced XLR output connectors and single TRS insert points.



Additional Inputs

In addition to the four multi-function input channels, all VeniceU models feature two stereo returns. These extra channels have dual TRS inputs, rotary level control, mute and solo switches with LED status indication, and routing to groups and stereo masters. Individual level controls are also provided to send the aux inputs to the two aux sends designated as monitor mixes.

A stereo playback input is provided with level control, mute and solo switches. Connection is via phono connectors.

A talkback input with level control and switch is provided with routing switches to monitor 1&2, aux 1-4, and stereo masters.



USB Digital Audio

VeniceU's USB audio interface combines the power and convenience of digital audio processing with the warmth and feel of an analogue audio mixer. The USB interface can be used with any computer fitted with a USB port, and is effectively a 16-channel (8 x 8) digital audio bus, which connects directly to your computer and enables the use of most 3rd party audio processing software in conjunction with the console.

All six aux busses, four subgroups, both matrix busses and the stereo masters route to the USB interface, up to eight busses at one time. Applications include multi-track recording from the VeniceU's digital buss outputs, and "plug-in" FX processors driven from aux sends and returned to the multi-function channels' digital USB inputs - all with a heart of pure MIDAS.



Matrix

The two-channel 7x2 output matrix has level controls which source from the four groups, Left, Right and Mono outputs. Each channel features level output control, mute and solo switches with LED indication. There are additional switches which split the L & R contributions to the matrix (default is a sum of L & R) and to send the matrix outputs to the USB interface instead of the L & R mix.

Both Matrix channels feature balanced XLR output connectors and single TRS insert points.



Solo System

The VeniceU's solo system features separate level controls and mute switches for headphone and local monitor outputs, with PFL/AFL selection for input solos. Headphone output is via 1/4" TRS socket conveniently placed on the surface of the console. Local monitor (L & R) outputs are available on XLR connectors located on the rear panel.



Hybrid

VeniceU bridges the gap between analogue and digital audio consoles, and offers the user the ease-of-use, warmth, feel, and zero-latency of analogue, combined with the power, choice and flexibility of outboard digital processing "plug-ins".

Software

Although the USB interface will work with nearly all computer-based DAW audio processing software, included in every VeniceU package is a free 60-day trial version of REASON, by Propellerhead. This software suite includes multi-track recording (up to 64 tracks), virtual racks full of FX and dynamics processing, and even a software mixer. Demo recording and FX templates are provided for quick, easy orientation with the powerful functionality of the VeniceU's "Digi-log" capabilities.



Mechanical

Many manufacturers cut quality when they design small mixers. At MIDAS we understand that modest channel count doesn't have to mean compromised performance and a poor feature set. The VeniceU embodies quality, from its rugged construction and top-of-the-range components through to the unmistakable MIDAS sound, it is obviously a truly professional audio console. The frame is of typical MIDAS steel construction, providing sufficient strength and rigidity for a hard life on the road. Potentiometers are metal-shafted, and individually secured to the steel fascia panel. The VeniceU is finished in the well-loved, classic MIDAS "Heritage" livery.

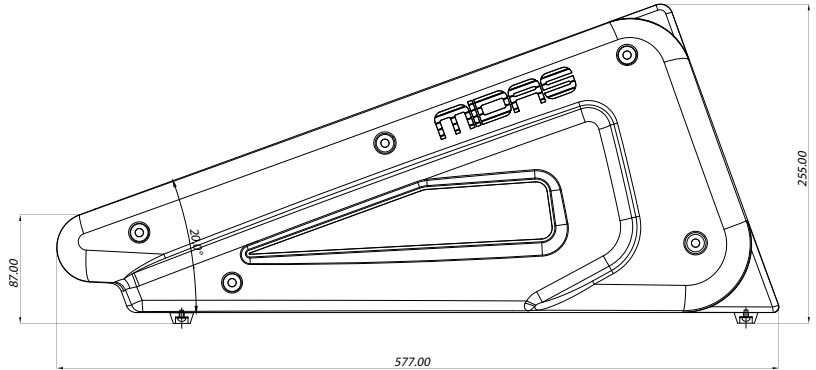
The VeniceU16 can be used as a freestanding console or fixed into a 19" rack (11U) using the integral rack mount hardware. The rear connector panel rotates to facilitate easy connectivity in either orientation.



VeniceU Quick stats:

VeniceU 16

Mic inputs:	12 mono	XLR
Line inputs:	8 mono plus 4 stereo	TRS
Aux returns:	2 stereo	TRS
Playback input:	1 stereo	RCA
Talkback mic input:	1	XLR
Aux mix busses:	6	XLR
Audio subgroups:	4	XLR
Matrix:	7 x 2	XLR
Stereo master output:		XLR
Mono master output:		XLR
Record output:		RCA
USB:	16ch - 8x8	USB "A"
Digital:	24-bit, 44.1 or 48 kHz	sampling rates

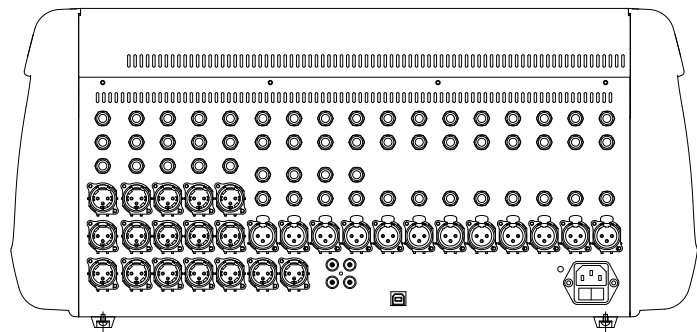


Dimensions and Weight:

H255mm/10.03" x D577mm/22.71" x W552mm/21.72"
Weight 16kg/35.3lbs.

VeniceU 24

Mic inputs:	20 mono	XLR
Line inputs:	16 mono plus 4 stereo	TRS
Aux returns:	2 stereo	TRS
Playback input:	1 stereo	RCA
Talkback mic input:	1	XLR
Aux mix busses:	6	XLR
Audio subgroups:	4	XLR
Matrix:	7 x 2	XLR
Stereo master output:		XLR
Mono master output:		XLR
Record output:		RCA
USB:	16ch - 8x8	USB "A"
Digital:	24-bit, 44.1 or 48 kHz	sampling rates



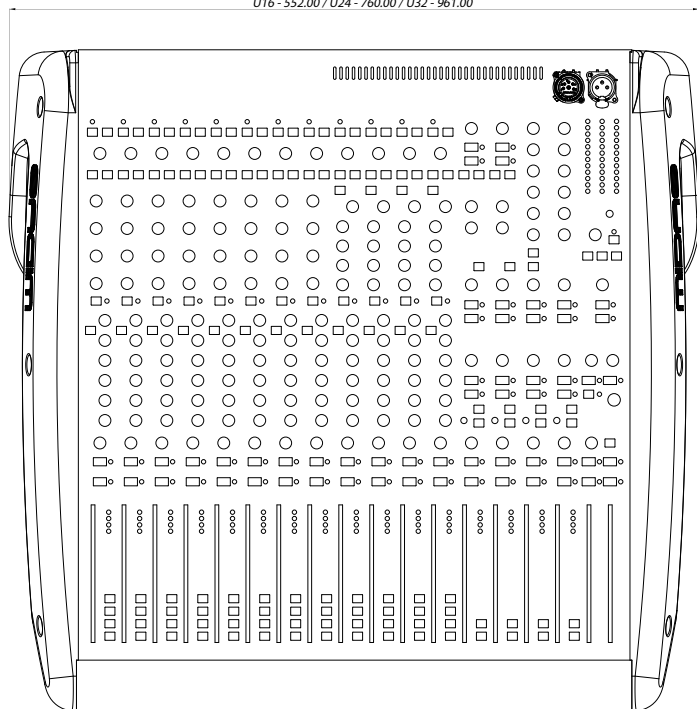
U16 - 552.00 / U24 - 760.00 / U32 - 961.00

Dimensions and Weight:

H255mm/10.03" x D577mm/22.71" x W760mm/29.92"
Weight 20kg/44.1lbs.

VeniceU 32

Mic inputs:	28 mono	XLR
Line inputs:	24 mono plus 4 stereo	TRS
Aux returns:	2 stereo	TRS
Playback input:	1 stereo	RCA
Talkback mic input:	1	XLR
Aux mix busses:	6	XLR
Audio subgroups:	4	XLR
Matrix:	7 x 2	XLR
Stereo master output:		XLR
Mono master output:		XLR
Record output:		RCA
USB:	16ch - 8x8	USB "A"
Digital:	24-bit, 44.1 or 48 kHz	sampling rates



Dimensions and Weight:

H255mm/10.03" x D577mm/22.71" x W961mm/37.83"
Weight 24kg/52.9lbs.



MIDAS, Walter Nash Road, Kidderminster, Worcestershire, DY11 7HJ. England.
Tel: +44 1562 741515 Fax: +44 1562 745371 midasconsoles.com
DOC05-VENICEU-17-05-2012